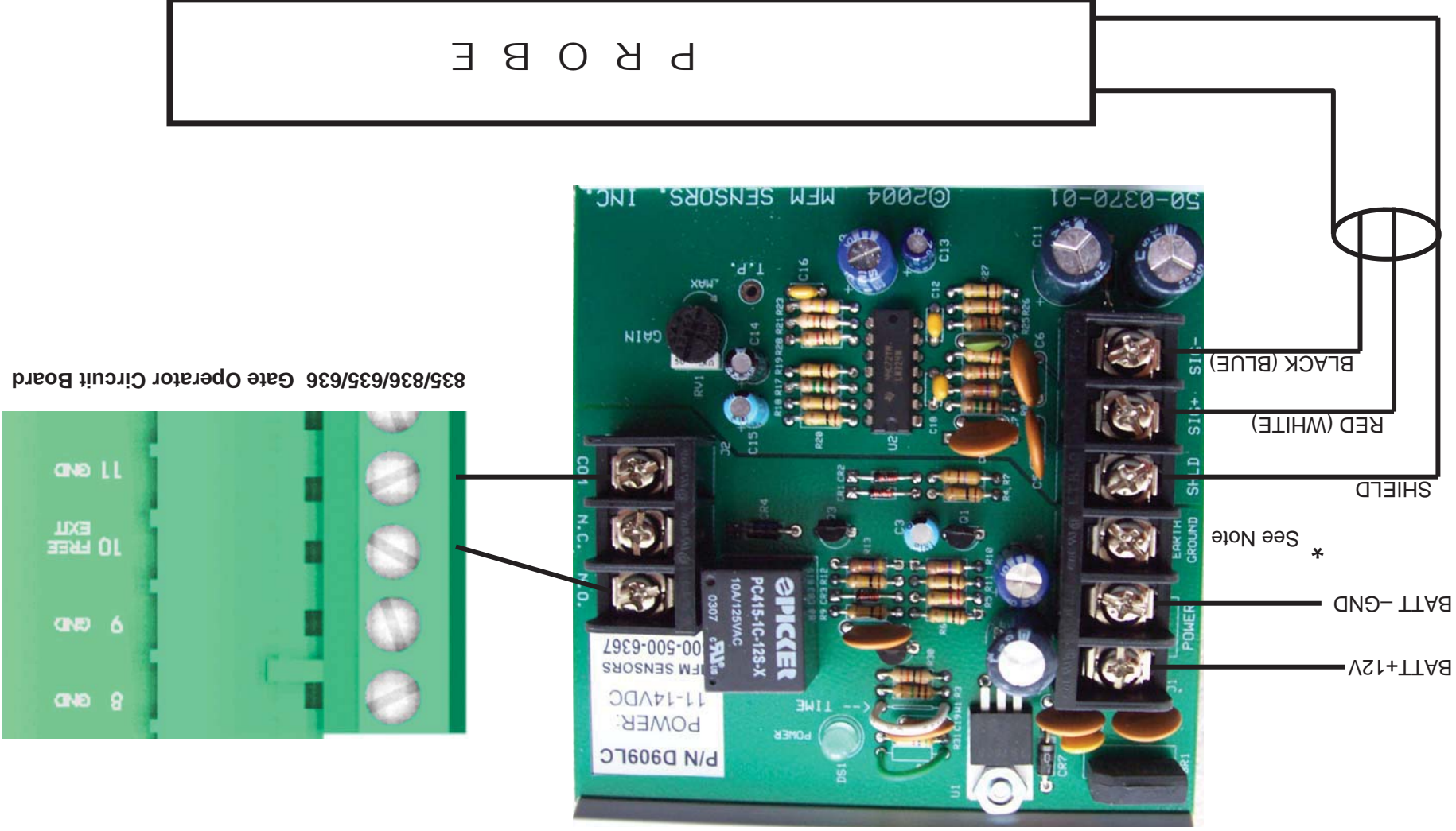


FREE EXIT PROBE WIRING DIAGRAM



* Note: Earth ground should only be connected to a grounding rod if required. DO NOT CONNECT TO POWER SOURCE.