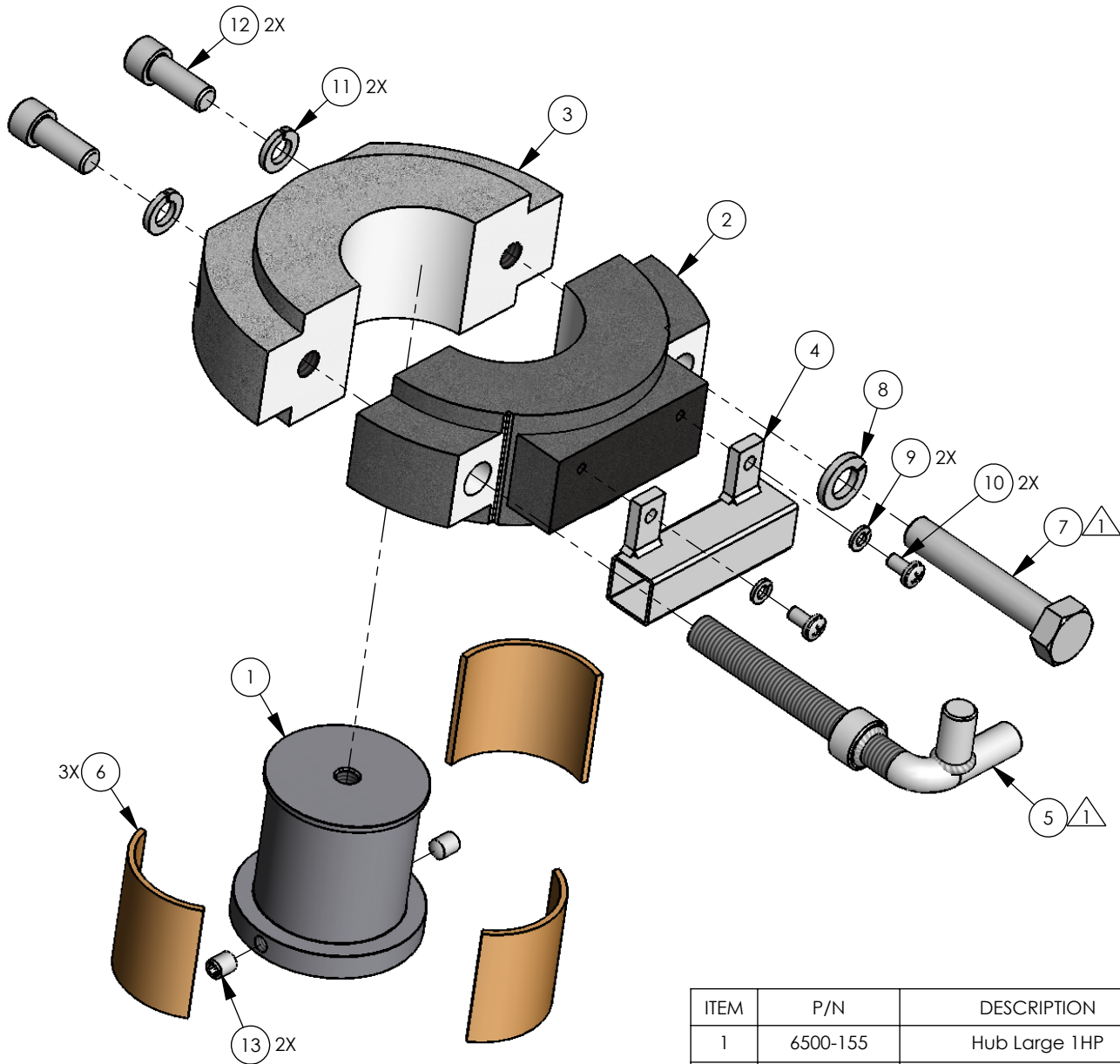
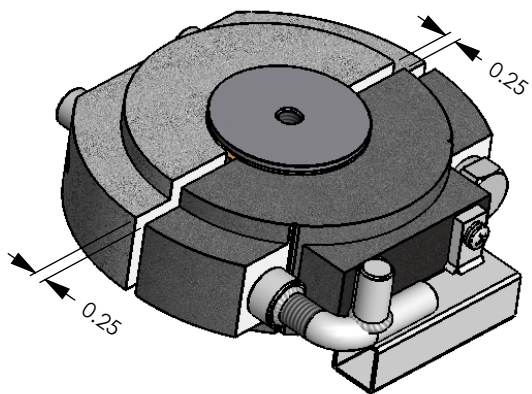


		REVISIONS		DATE	APPROVED
EO	REV	DESCRIPTION		Sal	D.C.
---	X1	Prototype Release		08/06/07	11/21/07



ITEM	P/N	DESCRIPTION	QTY
1	6500-155	Hub Large 1HP	1
2	6500-170	Hub Clamp 1HP	1
3	6500-165	Hub Clamp Swinger Half Arm	1
4	6500-205	Hub Bar Hold Large	1
5	6500-190	Release Screw Large Hub L	1
6	6500-140	Bushing Brass 1.375 R	3
7	2615-043	Bolt Hex Head 5/8-11 x 3 1/2	1
8	2620-049	Lockwasher 5/8	1
9	2620-109	Lockwasher 1/4	2
10	2905-065	Screw Phillips Head 1/4-20 x 1/2	2
11	2620-050	Lockwasher 1/2	2
12	2615-829	Bolt Hex Soc RH 1/2-13 x 1 1/2	2
13	2616-099	Set Screw 3/8-16 x 1/2	2



Torque to 50Lbs.

Notes: Unless Otherwise Specified.

PROPRIETARY AND CONFIDENTIAL
 THE INFORMATION CONTAINED IN THIS DRAWING IS THE SOLE PROPERTY OF Door King. ANY REPRODUCTION IN PART OR AS A WHOLE WITHOUT THE WRITTEN PERMISSION OF Door King IS PROHIBITED.

	NAME	DATE
DRAWN	Sal	08/06/07
CHECKED		
COMMENTS:		



Hub Assy-
1HP

SIZE	DWG. NO.	REV.
A	6500-410	X1
Scale: None		SHEET 1 OF 1