

BOERBOEL



Solid. Simple. Secure.

Installation Manual

Please contact 1-888-418-4400 for technical assistance or missing parts.

DO NOT RETURN TO THE STORE



This product meets and exceeds the requirements of UL 325, the standard which regulates gate opener safety, as established and made effective by Underwriters Laboratories Inc. on March 1, 2000.

For more information on Boerboel's full line of products and Spanish Installation Instructions, please visit our website at: www.boerboelgatesystems.com.

U.S. Patents: 7,942,386; 7,958,675
Canadian Patent: 2647091
U.S. and Foreign Patents Pending
FCC ID O6513815

Table of contents

Safety Guidelines.....	Page 2
General Information.....	Page 3
Accessories.....	Page 4
Items Included/Pre-Installation Measurements....	Page 5
Dovetail Attachment.....	Page 6
Operator Installation.....	Page 6
Aluminum Bracket Connection.....	Page 7
Gate Attachment.....	Page 7-8

Leveling Gates.....	Page 8
Manual Operation.....	Page 8
Aligning Gates.....	Page 8
Positive Stops.....	Page 9
Safety Placards.....	Page 10
Two Times Obstruction / Entrapment Alarm...	Page 10
Gate Application Selection.....	Page 10
Power Source Connection.....	Page 11

Solar Panel Configuration/Programming...	Page 12
Top Electronics Identification.....	Page 13
Keychain Remote.....	Page 13
Operator Setup & Programming.....	Page 14-19
Single Opener Programming.....	Page 15-16
Dual Opener (Wireless) Programming.....	Page 17-19
Dual Opener (Hard Wired) Programming...	Page 20-22
Troubleshooting.....	Page 23

Please read before performing installation

Thank you for your purchase of the Boerboel Gate Opener. When installed and used properly, your Boerboel opener will supply you with years of reliable service. The Boerboel opener is specifically designed to accommodate vinyl, wood, aluminum, chain link, farm, and solid fence panels. These instructions will guide you to properly install your Boerboel opener, and for more information refer to www.boerboel.gatesystems.com.

This opener can be used in Class I, Class II and Class III applications.

VEHICULAR GATE OPENER CLASS CATEGORIES

Class I: Residential Vehicular Gate Opener - A vehicular gate opener (or system) intended for use in a home of one-to-four single family dwelling, or a garage or parking area associated therewith.

Class II: Commercial / General Access Vehicular Gate Opener - A vehicular gate opener (or system) intended for use in a commercial location or building such as a multi-family housing unit (five or more single family units), hotel, garages, retail store, or other building servicing the general public.

Class III: Industrial / Limited Access Vehicular Gate Opener - A vehicular gate opener (or system) intended for use in an industrial location or building such as a factory or loading dock area or other locations not intended to service the general public.

This device complies with part 15 of the FCC rules. Operation is subject to the following two conditions: (1) This device may not cause harmful interference, and (2) This device must accept any interference received, including interference that may cause undesired operation. Changes or modifications not expressly approved by the party responsible for compliance could void the user's authority to operate this equipment.

IMPORTANT SAFETY GUIDELINES - Following installation, be sure to follow these guidelines:

- Attach the **two included warning signs**, one on each side of the gate, to alert the public of the automatic gate operation. If these signs or warning labels become illegible, damaged or go missing, be sure to replace them immediately.
- The gate is automatic and could move at any time, which can pose a serious risk of entrapment. No one should be in contact with an activated gate when it is moving or stationary.
- Do not attempt to drive or pass through the gate while it is in its opening or closing cycle. Trying to quickly pass through the path of a moving gate is extremely dangerous. Be sure to wait until the gate has come to a complete stop before proceeding.
- Do not allow children or pets near your automatic gate and **NEVER LET CHILDREN OPERATE OR PLAY WITH GATE CONTROLS**. Be sure to keep remote controls away from children and any other unauthorized users. Store remote controls where children and other unauthorized users do not have access to them.
- Disconnect the opener **ONLY** when the power is turned **OFF** and **NEVER** when the gate is moving.
- Make arrangements with local fire and law enforcement for access in the event of an emergency.
- Due to the nature of electronic devices, be sure to keep the area around the Boerboel Opener free and clear of any snow and/or pooling water.
- Be sure to review these **IMPORTANT SAFETY GUIDELINES** with all persons authorized to operate your gate.
- In high winds, it is necessary to install the bolt lock with 2 positive stops to prevent the gate from opening.

SAVE THESE SAFETY INSTRUCTIONS. MAKE SURE EVERYONE WHO IS USING OR WILL BE AROUND THE GATE AND GATE OPENER ARE AWARE OF THE DANGEROUS RISKS ASSOCIATED WITH AUTOMATIC GATES. IN THE EVENT THAT YOU SELL THE PROPERTY WHERE THE GATE OPENER IS INSTALLED, OR IF YOU SELL THE GATE OPENER ITSELF, BE SURE TO PROVIDE THE NEW OWNER WITH A COPY OF THESE IMPORTANT SAFETY GUIDELINES.



Product Features & Accessories

For Single & Double Gates

Gate Type	Maximum Size	Maximum Weight
Aluminum (brackets included) Fits 1.5" and 2" uprights	6' x 6' - Picket Panel	75 lbs.
Vinyl / Wood (brackets sold separately)	6' x 6' - Solid / Picket Panel	55 lbs.
Farm / Chain Link (brackets sold separately)	6' x 6' - Non Solid	75 lbs.

GENERAL INFORMATION - Product features highlighted below provide guidance in planning your installation as well as identifying accessory considerations for your Boerboel Opener(s).

- Each Boerboel Opener can support a gate up to 75 pounds, with a minimum height of 36 inches, and up to 6 feet in length (depending on gate material, weight and density), shown above.
- To avoid opening in high winds, the use of 2 positive stops and the Boerboel Bolt Lock Kit (sold separately) is recommended.
- Boerboel Openers are powered through traditional electricity with an outlet or via Solar Power. The opener ships with an electronic system that requires an electrical outlet, and the Solar Panel Kit is available for purchase. The table shows some considerations for choosing the best power source for your application.
- In dual gate operations, the Boerboel system is designed to communicate either through a hard wired or wireless connection. A hard wired connection will require burying an additional cable.
- Mounting your Boerboel Opener to your gate post will require additional hardware (sold separately) based on the post type and gate type.
- Install the Boerboel Opener level and secure. Leveling adjustments that are built into the Boerboel Power Opener allow for fine tuning adjustments and not as a primary leveling system. Incorrect leveling installation will cause excess wear and lead to future problems.
- The opener distance from the gate post can be adjusted using a 13mm wrench on the mounting bracket. This allows adjustments to the in and out distance from the mounting bracket and the gate post. The MAXIMUM amount of adjustment is 1 3/4". Over-extending can result in the opener detaching from the Mounting Brackets. The opener's swing range and interaction with a second gate is adjusted using the tension lever on the bottom of the opener.

Electric Power	Solar Power
One electrical outlet is required with a single gate installation or when using dual gates with a hard wired configuration. Dual gates using a wireless configuration will require either an electrical outlet on either side of the gate or two outlets on one side, depending on setup.	Solar Power requires no electrical outlets, and is available for purchase in the Solar Panel Kit (sold separately). Generally, every Boerboel Opener requires at least one solar panel kit (unless hard-wired). In cloudy areas, the solar panel should be attached to a 20 amp battery to allow the opener to function up to 14 days of non-sunlight.
If an outlet is unavailable, you may want to consider hiring an electrician to provide the appropriate power source for the gate(s).	
When communication between dual gates is hard-wired, the cable connecting the two openers, must be buried beneath the surface between the gate posts.	

To eliminate "wobble" or a non-secure connection when the dovetail is connected to the main body of the opener, make sure to tighten the nut on the back of the tension lever but be careful not to over-tighten to avoid damage.

The Boerboel Opener and gate(s) can be electronically programmed or mechanically adjusted to customize the gate application. The electronic programming occurs in the "Setup" Mode while depressing the "Select" and "Setting" buttons found in the electronics enclosure (top of the opener).

Primary Gate Designation - For dual gate operations a primary gate is selected (one closest to the power source and with the easiest access to the top and bottom of the opener) and the second gate is designated as the "secondary" opener. For dual gates using hard-wired communication, the opener which is plugged into the electrical outlet should be the "Primary" opener.

Swing Direction - Typically, gates open inward upon entry and outward upon exit, however this feature allows the user to determine direction of the swing and communicates to the wireless "keychain transmitter" which has open and close buttons. The opener(s) must be set accurately to accommodate the "auto-close" feature otherwise resulting in other features of the opener(s) working in reverse, which can cause frustration.

Open and Close Sequence - This allows the gates (for use with two openers) to open simultaneously (both gates open & close at the same time) or sequentially (one gate opens first and the second gate is delayed, and reversed when closing). Many dual gates may have a "flap" or positive stop on one gate. The gate with the positive stop/flap needs to open first but close second.

Auto Close Feature - The Boerboel Opener has an auto-close mechanism that adjusts the timing of the gate closure. The Auto-Close Feature can be set to the "OFF" position or adjusted from 15 -120 seconds delay by rotating the dial clockwise using a small phillips screwdriver.

Sensitivity - The Boerboel Opener has an auto-stop programmed that will halt the gate movement when pressure is applied to the gate. Depending on the application of your gate this may be necessary to adjust for safety reasons. The sensitivity can be adjusted by rotating the dial counter-clockwise using a small Phillips screwdriver.

The Boerboel Opener is also equipped with an "auto-detect" feature which automatically searches for any wired devices every five minutes.

Accessories

For Single & Double Gates

The Boerboel Opener System offers a wide variety of accessories to help customize your gate functionality:

Bracket Kits – each Boerboel Opener includes brackets to attach aluminum gates. Farm/chain link and wood/vinyl bracket kits are also available.

Solar Panel Kit – allows the gate to be powered using solar energy without an electrical outlet.

Low Voltage Wire Kit – this kit provides the ability to extend the opener to the electrical outlet and increase the distance of an accessory from the opener power plug, in up to 25' increments. The low-voltage wire kit is used with many applications and to install most additional accessories.

Post Light - adds a light to the top of your Boerboel Opener to add light to the entrance for walking or driving purposes and allows the user to see the gate working in the dark.

Key Remote Kit - adds convenience for additional gate users and includes a car visor mount to keep in vehicles. See Programming Instructions on Page 13.

Wireless Keypad - a wireless key pad can be used to open your gate from either outside or inside your property. Keypads are commonly installed on the approach of the gate or near the garage/front door. Access can be granted using a primary or secondary code.

Push Button Opener - acts as a doorbell to open your gate. There is no code required to use this item and it is recommended to keep inside your property to grant exiting access to visitors. *Requires purchase of the Boerboel Low-Voltage Wire Kit.

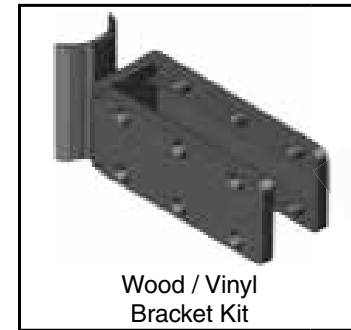
Photo Eye Kit - this kit is used to prevent the gate from opening or closing on an obstruction; usually a car or other object. It is recommended to install one photo eye on both sides of the gate to prevent obstructions.

Power Bolt Lock Kit - this lock is used to secure the gate when it is closed. You can use one Bolt Lock per system which helps to deter unwanted guests. The Bolt Lock Kit also serves as a positive stop for dual gates. *May require the purchase of an additional spacer, depending on the type of gate being used.

Exit Wand - makes exiting convenient as the wand detects your car approaching and triggers the gate to open automatically.



Farm / Chain Link
Bracket Kit



Wood / Vinyl
Bracket Kit



Solar Panel Kit



Low-Voltage
Wire Kit



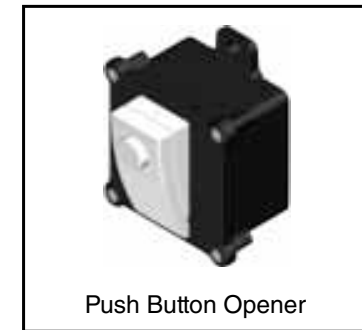
Post Light



Key Remote Kit



Wireless Keypad



Push Button Opener



Photo Eye Kit



Power Bolt Lock Kit

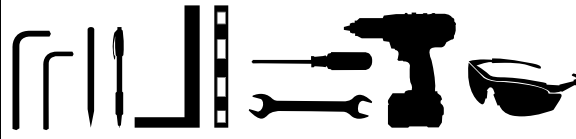


Exit Wand

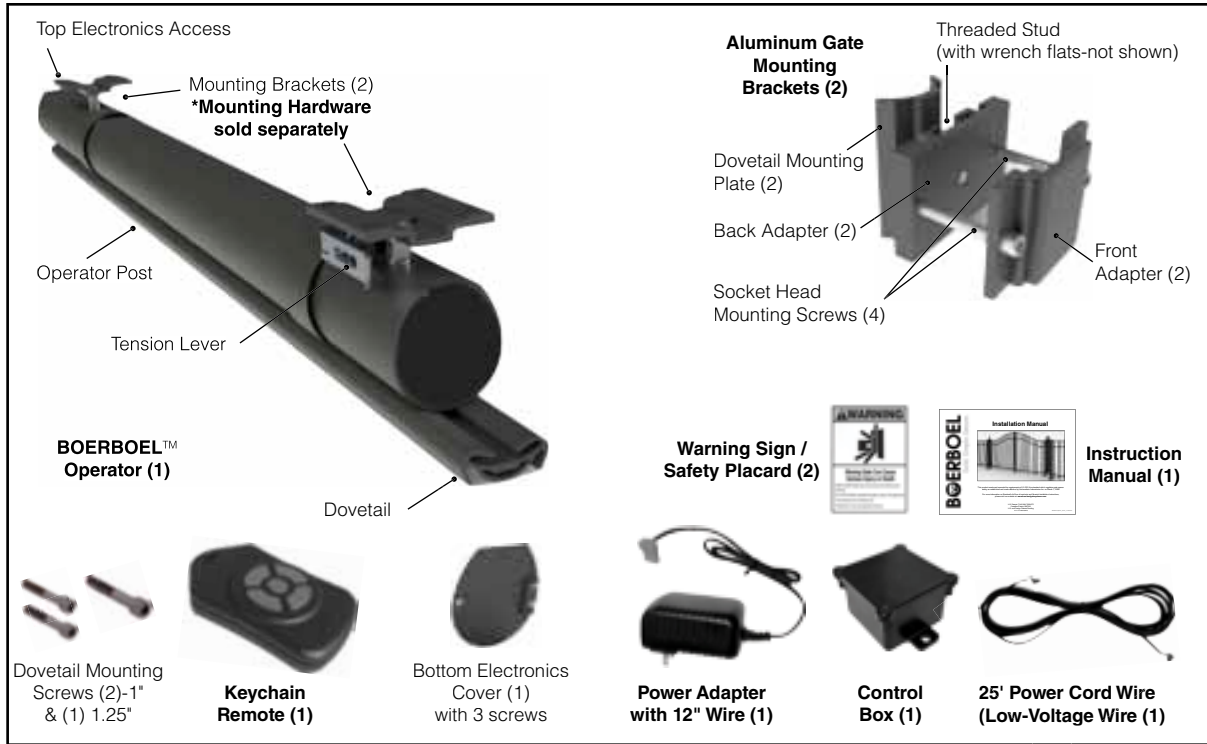
Assembly Instructions

For Single & Double Gates

Tools Needed 7/32" allen wrench, 5/32" allen wrench, pencil, pen, square, level, small phillips screwdriver, 13mm wrench, power drill, safety glasses



Items Included in Kit:



Pre-Installation Measurements

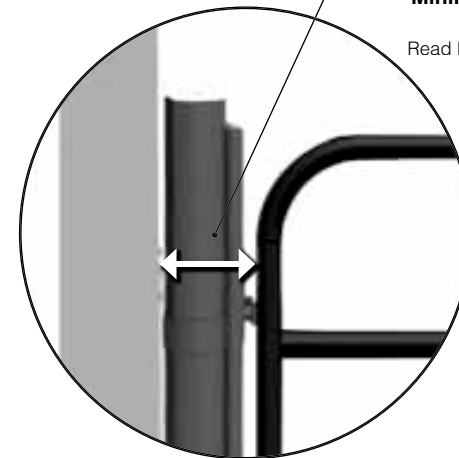
Prior to installation, ensure you have enough room between the mounting post(s) for both Boerboel opener(s) and the gate(s). The space between the mounting post and the gate (which the Boerboel opener will occupy), is 6.75" regardless of which style gate mounting brackets are used. (1a)

Each gate mounting bracket style (aluminum, wood/vinyl or farm/chain link) offers up to 1" of adjustability, so you want to make sure you have between 6.75" and 7.75" available space to ensure a proper Boerboel opener installation. Use a 13mm wrench to adjust.

For dual gate installations, this space must be made available for each opener (13.5" min - 15.5" max). (1b)

Mounting post must be at least 4"x4" and reinforced when hollow to support the power opener. Allow 6.75" Minimum - 7.75" Maximum distance between post and gate.

Read Pre-Installation Measurements above.



1 Before You Begin...

Make sure you have all of the required tools for your installation. See "Tools Needed" square above.

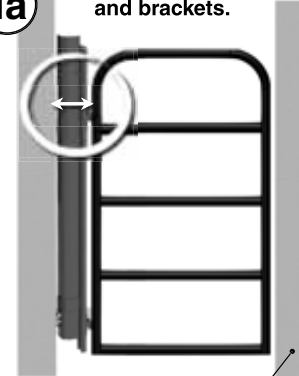
Mounting hardware is required to mount your Boerboel opener to your mounting post. The type of hardware used is dependent upon which type of post you are mounting your Boerboel opener to (wood, aluminum, PVC, etc.) For this reason, mounting hardware must be purchased separately.

Your Boerboel opener kit includes gate mounting brackets for use with aluminum gates/fencing. If you are looking to use your Boerboel opener using wood, vinyl, farm or chain link gates/fencing you will need the proper gate mounting brackets to match your gate type. Boerboel Wood/Vinyl & Boerboel Farm/Chain Link Gate Mounting Bracket Kits are sold separately.

The Boerboel Operator comes with a 25' Power Cord of Low Voltage Wire. If you wish to extend the length of wire used for any separately purchased Boerboel accessories, purchase of the Boerboel Low-Voltage Wire Kit may be required.

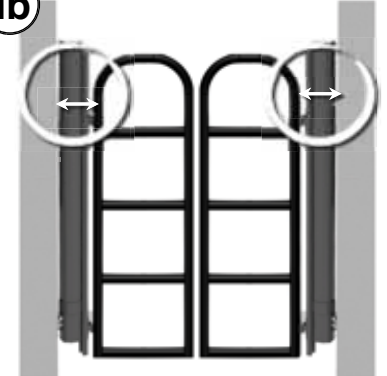
Be sure to review the Pre-Installation Measurements to the right to ensure you have enough space to install your Boerboel opener.

1a Allow 6.75" Minimum distance for operator and brackets.



Mounting Post(s) sold separately (= or > 4"x4")

1b Allow 6.75" Minimum distance on each side.



2 Dovetail & Bottom Cover Attachment

Before securing the Boerboel Opener to the post, attach the dovetail to the saddle. Use the 3 screws provided (2a & 2b). Secure the top using the two 1" allen head screws to the upper and lower holes located on the upper saddle (the center hole remains unused). Next, secure the larger 1.25" allen head screw to the center hole of the lower saddle. **The larger screw must be used on the lower saddle for proper attachment.**

Using a Phillips head screw driver, secure the bottom cover with the 3 screws to protect the electronics and wiring (2c). The bottom cover has a hinge opening that will allow access for installation to the electronic ports during and after installation.

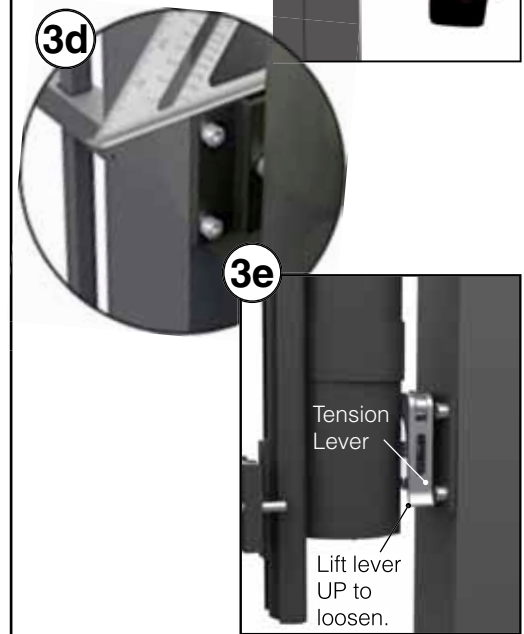
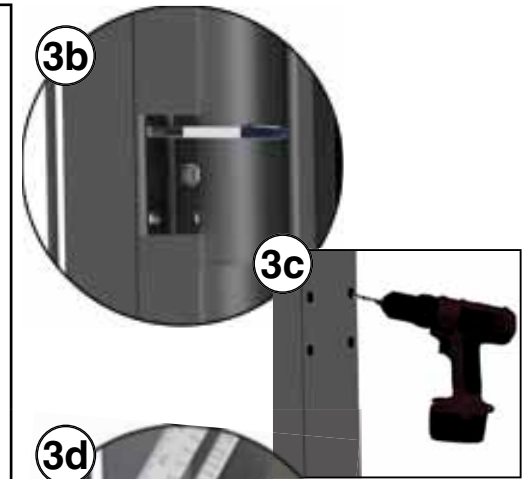
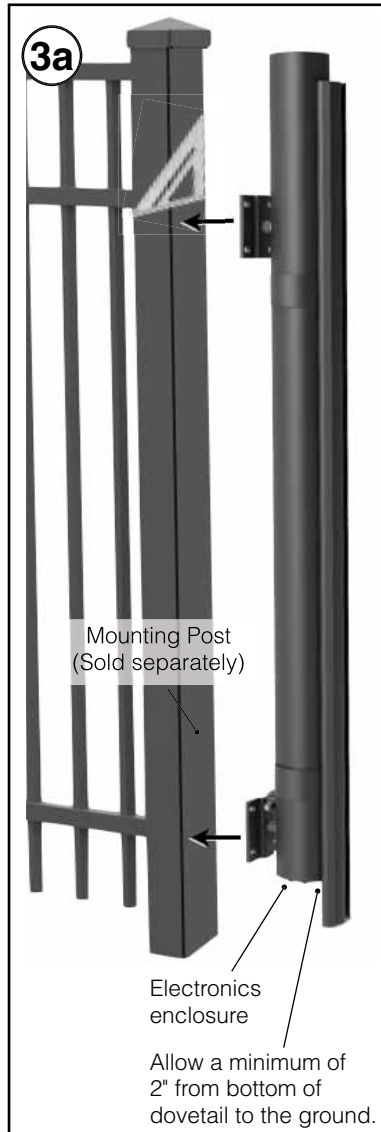
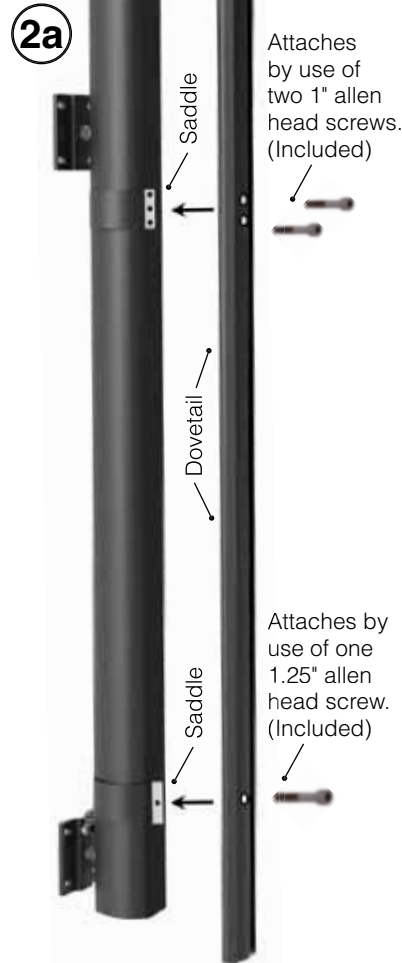
3 Operator Installation

Install the Boerboel Openers using mounting hardware (not included) appropriate for your post material. Make sure that the mounting post is plumb before mounting your Boerboel opener. Allow concrete to cure following the manufacturers package instructions, prior to mounting the Boerboel opener to the post. Be sure that you have your mounting post secure in the ground, and your dovetail secured to the Boerboel opener before mounting opener to post.

***Note: When installing the opener into a vinyl post, a wooden insert is required to support the opener and gate. The mounting brackets are sized to accommodate 2" U-Bolts for connection to a round post.**

Steps:

- Hold the Boerboel opener up to your mounting post to ensure there is enough surface space to secure both the top and bottom mounting bracket to the post. Use a square to make sure both the top and bottom mounting bracket are square to the post and determine their proper placement on the post. **Be sure to leave enough room from the ground to the bottom of the Boerboel opener to allow access to the bottom electronics enclosure. A minimum of 2" from the bottom of the dovetail to the ground is recommended.** (3a)
- Determine the best location of the upper and lower mounting brackets, mark and pre-drill 8 holes at a slight angle. (3b, 3c) **Mounting screws (not included) differ by post surface and application. Posts must be 4"x4" and reinforced to support the Power Opener.**
- Secure the Boerboel opener to the mounting post using the correct hardware. Be sure to use a square during this step to ensure your Boerboel opener will be level on the post. (3d)
- The Boerboel opener includes a manual tension (3e) that allows for the fine tuning in alignment, 90 degree adjustments, and manual operation (see gate adjustments section, Pages 8 - 9).



4 Aluminum Bracket Connection (Fits 1.5" and 2" uprights)

***Note: Wood/Vinyl Bracket & Farm/Chain Link Gate Bracket Kits are sold separately.**

All parts included with the Boerboel opener to assemble the Aluminum Gate Brackets are shown in 4a, which are the Dovetail Mounting Plate, the Front Adapters, the Back Adapters and the Socket Head Mounting Screws.

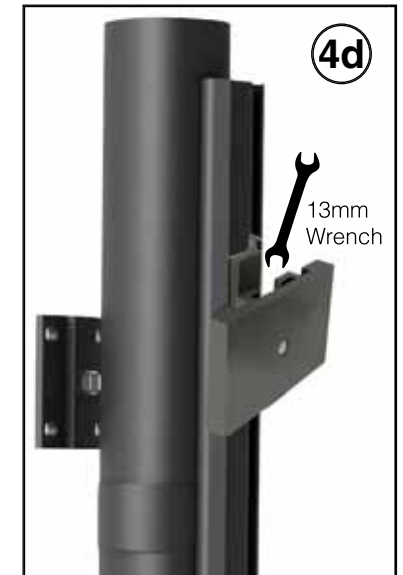
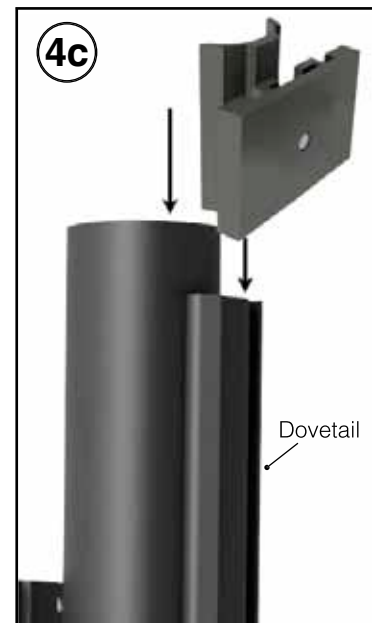
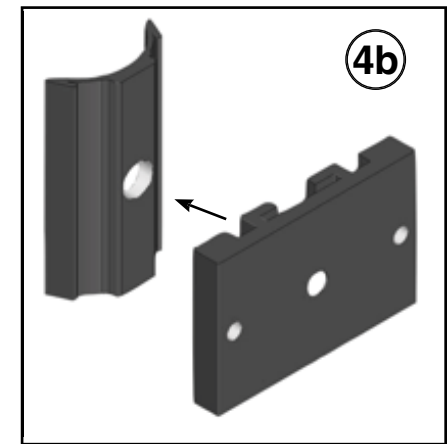
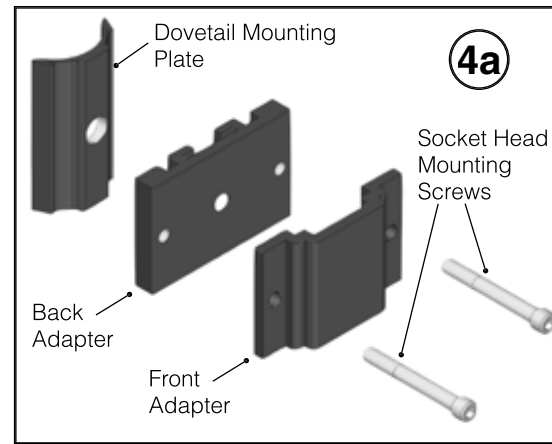
First, connect the Dovetail Mounting Plates onto the backside of the Back Adapter Portion of your brackets by use of the Threaded Stud. (4b)

To attach your aluminum gate brackets, simply insert the dovetail mounting plate into the dovetail portion of your Boerboel opener. (4c)

Slide the dovetail adapter along the dovetail track until bracket is in the desired position. Once your bracket is in the desired position, simply tighten the bracket in place by tightening the threaded stud using a 13mm wrench. (4d)

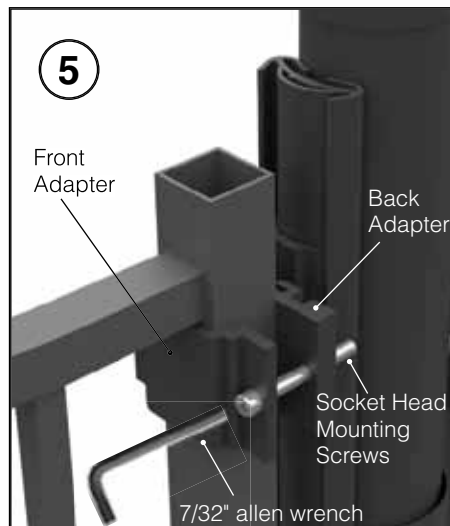
Repeat these steps for the second bracket.

***For 2.5" Gate uprights**, the adaptor can be modified, by reversing the front adaptor and adding a spacer. Please contact Customer Service at 1-888-418-4400 for a retrofit kit.



5 Gate Attachment

To attach the gate(s), support the mounting side of the gate against the back adapters of the aluminum gate brackets and secure in place by attaching the front adapters by use of four socket head mounting screws (two per bracket) using a 7/32" allen wrench. Once the gate is in place, make sure the four socket head mounting screws are securely tightened to keep your gate from slipping. (5)



6 Leveling Your Gate(s)

To level your gates, simply adjust your Boerboel opener in and out from the post by rotating the adjustment studs of the top and/or bottom Mounting Brackets using a 13mm wrench. Extending the top bracket outward will lower the gate, while extending the bottom bracket outward will raise the gate. Adjust accordingly.

***Note: The MAXIMUM amount of adjustment is 1 3/4" for each adjustment stud. Over-extending can result in the opener detaching from the Mounting Brackets.**

7 Manual Operation

Prior to configuring your gates, use the tension lever to adjust each gate so that they are situated in the "open" position. Doing so will ensure the correct gate direction has been chosen when programming your opener. After configuring your gates, you can use the tension lever to move the gates back to the "closed" position and to make fine adjustments if they are not perfectly aligned once completing the first open/close cycle.

In the case of an emergency, loss of power, or to permanently leave your gate open, the tension lever can be unlocked and the gate can be adjusted to the open position. Remember to lock the tension lever to ensure that it does not swing with the wind or move with gravity.

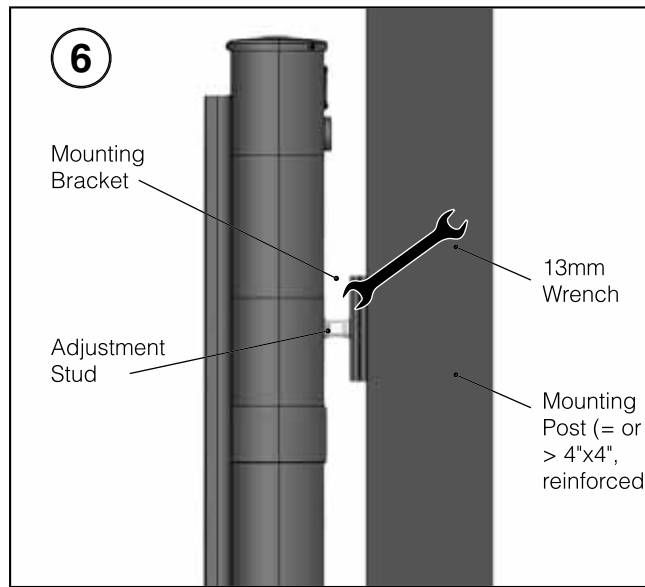
Tip: To eliminate "wobble" or a non-secure connection when the dove tail is connected to the main body of the opener make sure to tighten the nut on the back of the tension lever but be careful not to over tighten to avoid damage.

8 Aligning Your Gate(s)

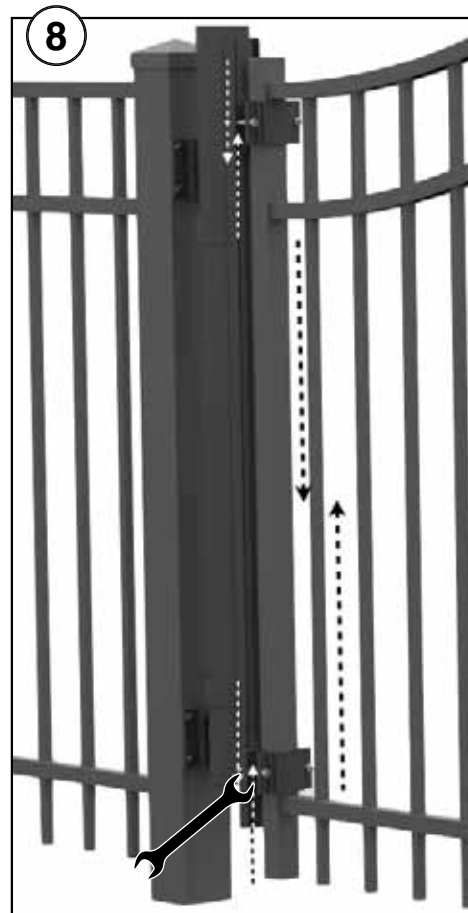
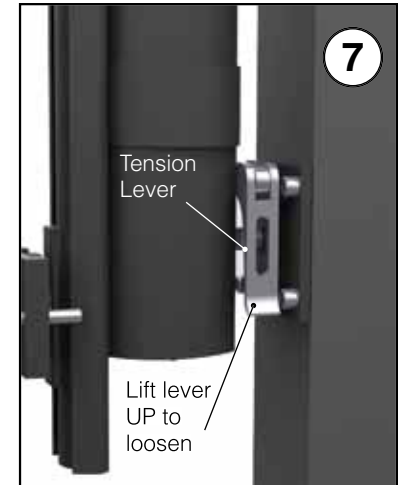
Once your gate(s) have been mounted, you can adjust their position on your Boerboel opener(s) by loosening the threaded studs on both the top and bottom aluminum gate mounting brackets using a 13mm wrench and adjust your gate up and down the dovetail accordingly.

Once your gate and brackets are in the desired location on your opener, simply re-tighten the threaded studs.

***Note: This procedure will easily allow you to adjust dual gates so they are perfectly aligned with each other.**



The MAX adjustment per Adjustment Stud is 1 3/4".
Do not over-extend.



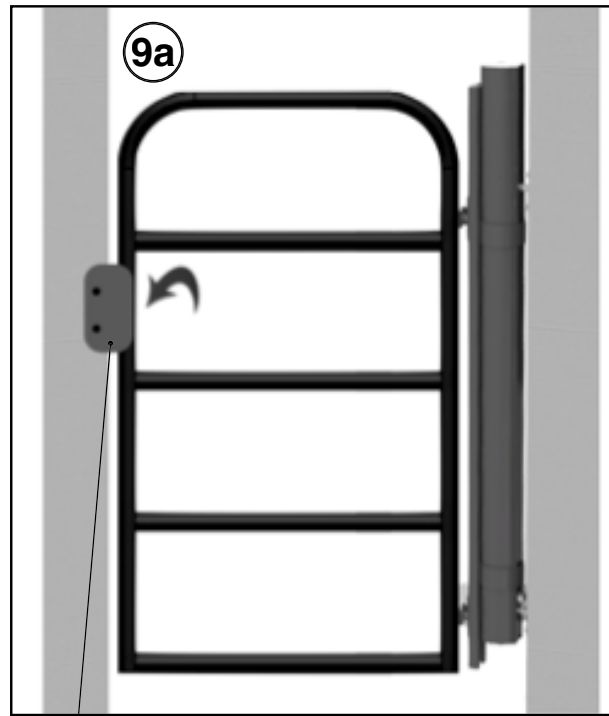
9 Positive Stops

When determining the swing direction for your gates, it is also a good time to consider the placement of a positive stop to keep your gates closing completely within alignment of each other every time they close.

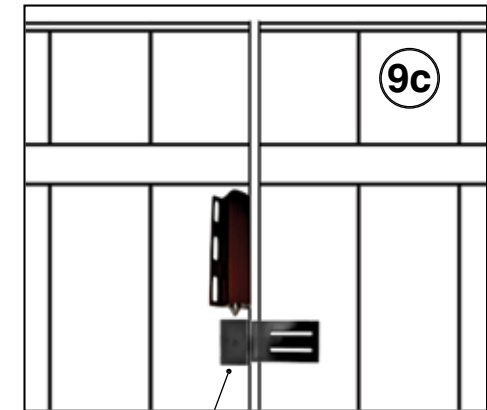
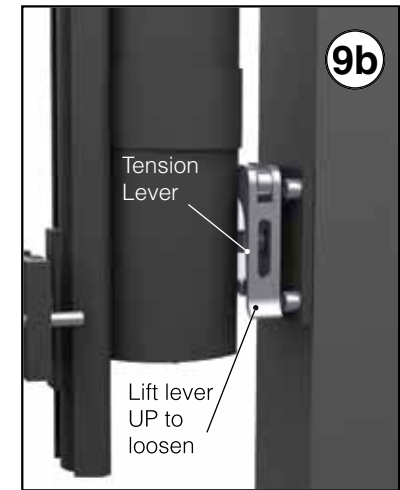
For single gate installations, a wooden block or a metal plate is commonly attached to the mounting post at the opposite end of the gate from the Boerboel opener (9a). Over rotating the gate opener into the positive stop is recommended for a snug close. To apply the over rotation, simply loosen the tension lever with the gate in the open position and adjust it towards the closed position 3-5 degrees (9b). Re-tighten the tension lever and cycle the gates to close. If the over-rotation is not satisfactory, simply loosen the tension lever and make any necessary adjustments.

For dual gate installations, the positive stop must be placed on one of the two gates. The gate with the positive stop attached to it must then be over-rotated 3-5 degrees so that it closes snugly against the opposite gate. This procedure is required on dual gate installations on which the Boerboel Power Bolt Lock Kit is being used. The Boerboel Power Bolt Lock Kit (9c) serves as both lock and positive stop for dual gate installations. Dual gates with a positive stop should be in Sequential closing mode depending which gate has the positive stop installed. The details show the positive stop installed on either side of the Primary gate. (9d, 9e).

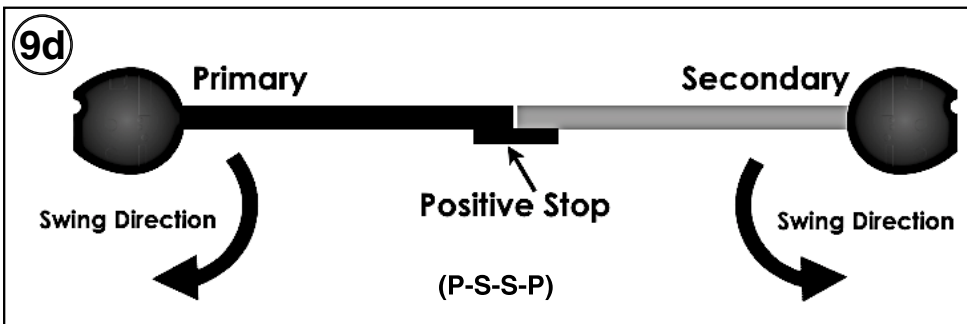
To avoid opening in high winds, the use of 2 positive stops and the Boerboel Power Bolt Lock Kit (sold separately) is recommended.



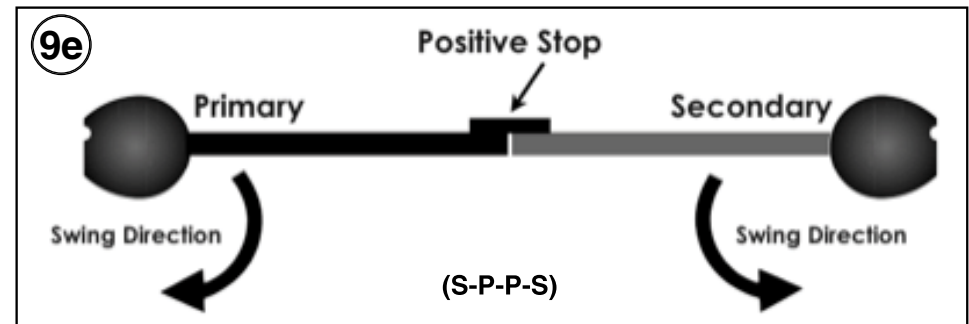
Over-rotate gate 3-5 degrees so that it closes snugly against the positive stop.



The Bolt Lock Receiver double acts as a positive stop for dual gates.



Open / Close Sequence: Sequential with Primary Overlap

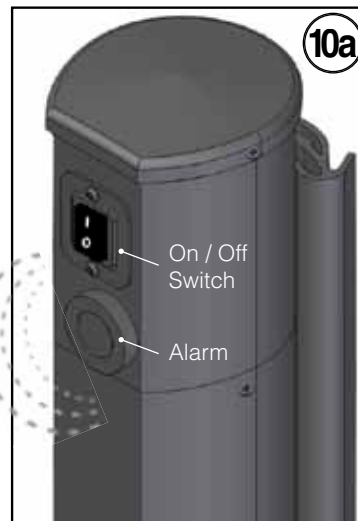


Open / Close Sequence: Sequential with Secondary Overlap

10 Safety Placards

Two safety placards are included with your Boerboel opener kit. Be sure to mount one placard to both sides of your gate. (10)

Failure to post these important warnings can result in damage to your gate and/or the gate opener as well as potential danger to pedestrians, children, pets, vehicles and other objects.



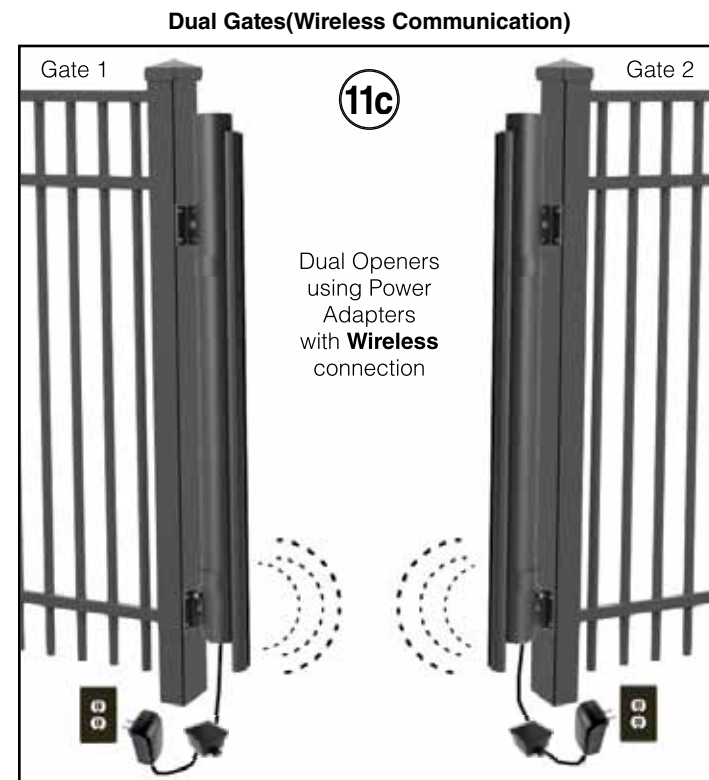
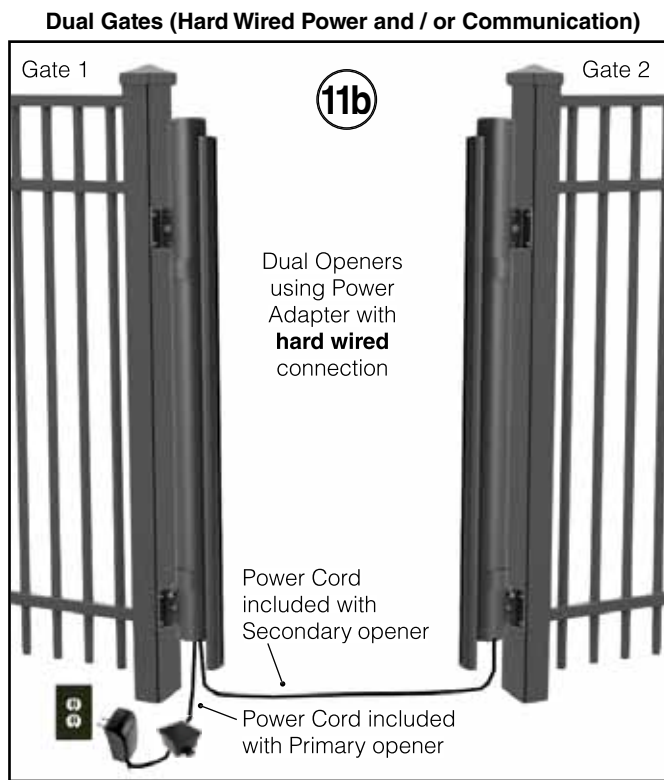
TWO TIMES OBSTRUCTION / ENTRAPMENT ALARM (UL 325; 30A.1.1A)

The Boerboel Power Gate Opener has a built-in alarm which activates when the gate hits something twice in a row. The Boerboel opener will stop its motion and reverse within two seconds when the gate comes into contact with an obstruction. If the Boerboel opener re-attempts to complete its opening/closing cycle and encounters a second obstruction, the gate will stop altogether and the alarm will activate. This alarm will sound until the "On/Off" switch is switched to the "Off" position (I indicates "On" and O indicates "off"). Be sure to remove the obstruction from the gate's path before attempting to re-cycle the gate. Boerboel accessories such as the Keychain Remote Kit, Wireless Keypad Kit and Push Button Opener Kit will not deactivate the alarm. All opener(s) must be powered down for 10 seconds to reset the system.

11 Gate Application Selection

Select the following options for using your Boerboel opener which include the type, power sources and communication options (when 2 gates are used).

The power source can be substituted with a solar panel (sold separately). Follow the Solar Panel Kit instructions carefully as the settings and options differ for the intended use.



12 Power Source Connection

The Boerboel opener(s) use the enclosed power cord(s) or can use solar power with the Boerboel Solar Panel Kit (sold separately). One power cord is included with every Boerboel opener, which contains the 25' power cord wire, the control box and power adapter, all pre-assembled for your convenience. (12a)

For dual opener installations, only one power cord and outlet is necessary when the two openers have a hard wired power connection to each other. For dual opener installations in a wireless communication configuration, each opener will need to be powered by it's own power cord (or solar panel). Dual opener installations using solar power will require the use of two or more solar panels when used in a wireless communication configuration. In cloudy areas, the solar panel should be attached to a 20 amp battery to allow the opener to function up to 14 days of non-sunlight. See Page 12 for solar power configurations.

The bottom electronics diagram (12b) identifies the ports located inside the bottom of the Boerboel opener.

Always make sure the power switch, located at the top of your Boerboel opener is set to the "Off" position as a safety precaution (14b). (I indicates "ON" and O indicates "OFF"). Be sure to connect all accessories to the appropriate port(s) on your Boerboel Opener(s), prior to powering "ON" the primary opener.

For a **Single Gate Opener**, simply connect the 4-prong adapter on the power or solar panel cord to the port labeled "Power" at the bottom of the opener (12b, 12c).

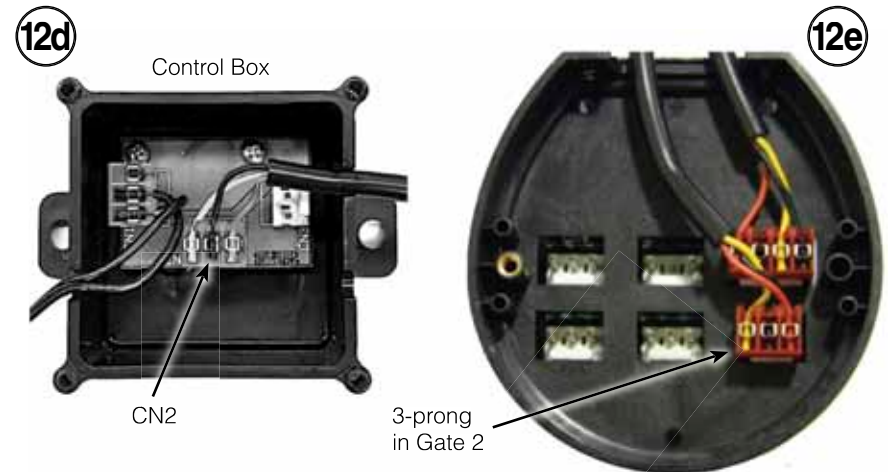
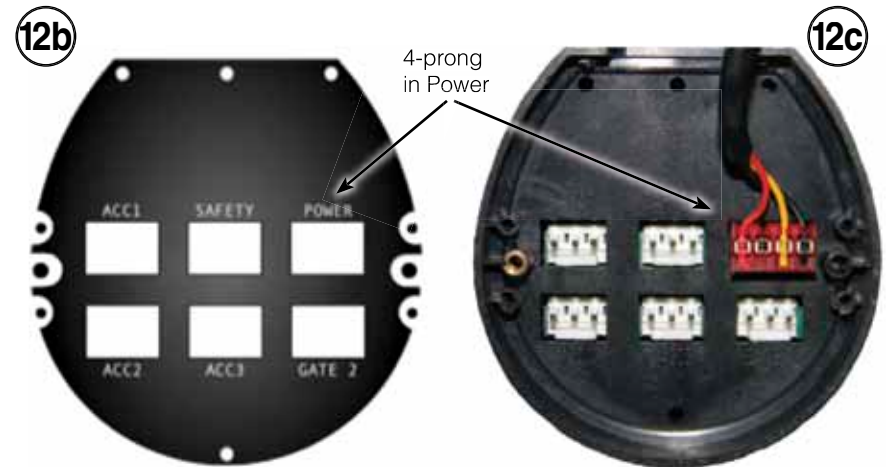
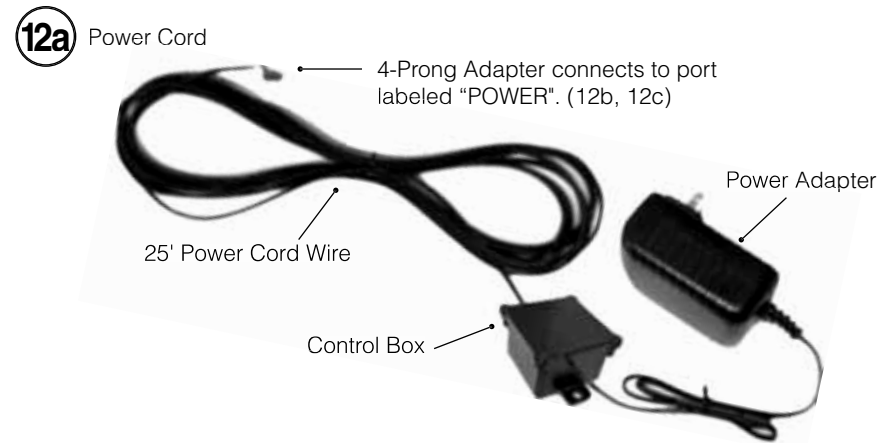
Be sure to connect the 4-prong and 3-prong adapters of the power cords exactly as shown in the diagrams (12c, 12 e). Failure to do so will result in damaging the electrical components and voiding the warranty.

For Dual Gate Openers, a secondary opener can be connected either using wires (hard wired) or set up to communicate wirelessly.

WIRED (HARD WIRED) POWER AND/OR COMMUNICATION: First, take the power cord for the primary opener, and connect the 4-prong adapter to the bottom electronic port labeled "Power" at the bottom of the opener (12b, 12c). On the other end of the power cord, you will find the power adapter, which will be used to plug into the electrical outlet once all wiring is complete. Next, you will create a power/communications link wire by removing the control box cover on the secondary opener's power cord (12a, 12d). Unplug the 3-prong adapter from the "CN2" port inside the control box (12d), and connect it to the primary opener's bottom electronic port labeled "Gate 2" (12e). Plug the other end of this wire, with the 4-prong adapter, into the secondary opener's bottom electronic port labeled "Power" (as shown in 12c). You will not need the control box or the power adapter from the secondary opener, as only one electrical outlet will be necessary to accommodate the primary opener's power adapter.

In this configuration, after programming, it is necessary to turn the secondary opener "ON" first, before turning on the primary opener.

WIRELESS COMMUNICATION: Apply power to both the primary and secondary openers by connecting the 4-prong adapters on each of the power cords to the electronic ports labeled "Power" at the bottom of each opener (12b). Two electrical outlets will be necessary to accommodate each of the openers power adapters (unless solar power will be used). The openers will need to be programmed (later in this manual) to establish a wireless connection where both openers work in tandem.



13 Solar Panel Configuration (Optional)

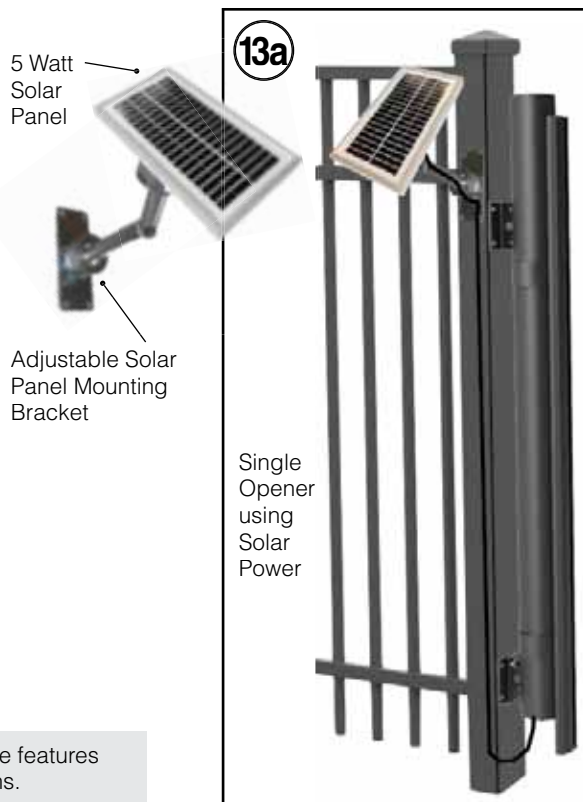
Solar power is an alternate option for powering your Boerboel opener. Solar is a great energy saving alternative and is ideal for gate installations in remote areas where conventional 110 power is not available or easily accessible. The Boerboel Solar Panel Kit is sold separately and contains one 5 watt solar panel with battery backup and adjustable mounting bracket for easy installation and maximum sun exposure. Solar power can be used with either a wired or wireless communication option (requires at least one solar panel per opener).

For geographical areas which typically have little or low sunlight, the solar panel should be attached to a 20 amp battery to allow the opener to function up to 14 days of non-sunlight.

To ensure a fully charged battery, be sure to leave your solar panel(s) in direct sunlight for at least 2 days prior to connecting to your opener(s).

Figures 13a & 13b demonstrate solar power configurations.

For installation, please refer to the instructions included with the Boerboel Solar Panel Kit.



14 Operator Setup & Programming Overview

As explained earlier in this manual, the Boerboel Opener has many unique features and options which must be set up and programmed to unique applications.

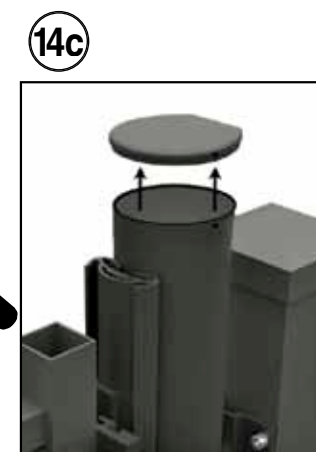
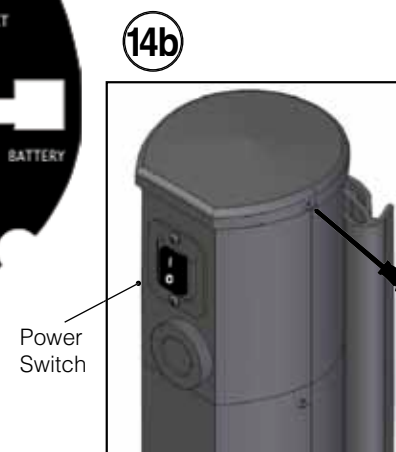
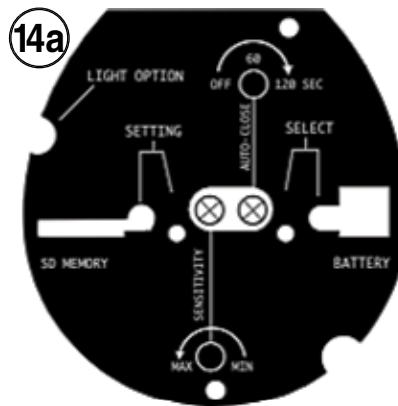
The default setting for the Boerboel opener identifies all openers as "primary", or the main controller. When using dual gates, the secondary opener will require a setting adjustment, to identify it as the "secondary" opener (detailed later).

Located at the top of the opener is an electronic enclosure that includes indicator lights, programming buttons and adjustment screws (14a). To access this panel, open the top cover by removing the small screws with a small phillips head screwdriver (14b, 14c). Once the cap is removed the inner electronics enclosure is accessible (14c) to change the programming of the unit.

To access the programming options, the unit must enter "Set-Up" mode. After 90 seconds of inactivity (no buttons pressed), the opener will exit "Set-Up" mode and return to normal operations.

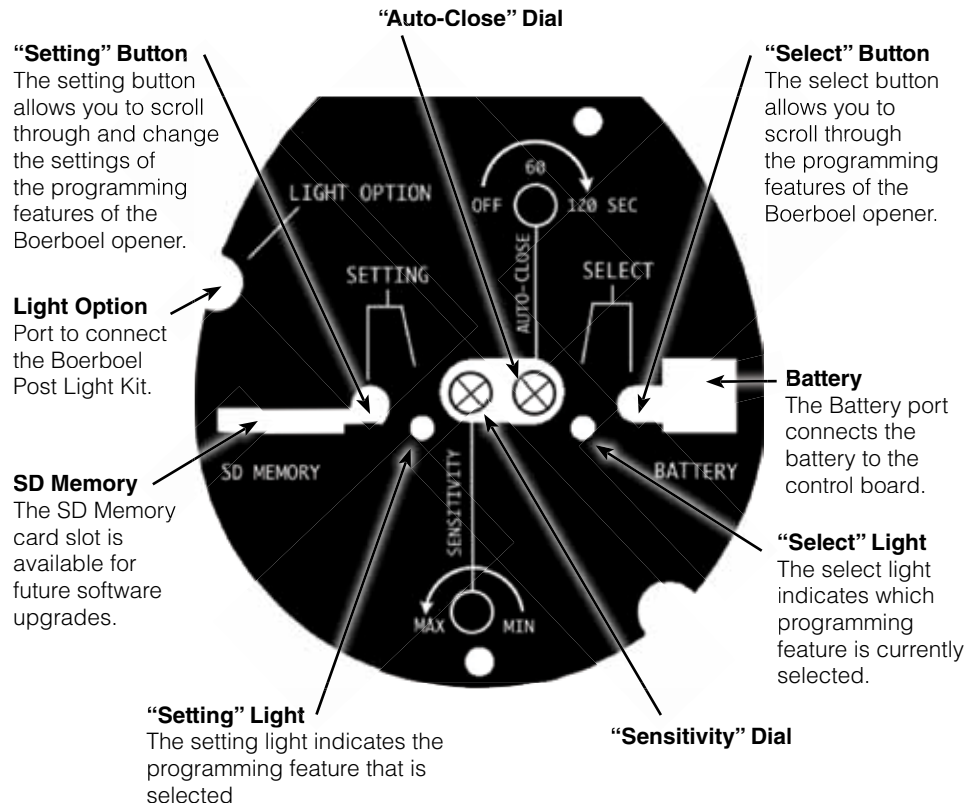
To program the Boerboel Opener, the "select" and "setting" buttons will need to be depressed in a series of steps with the tip of a pen. The "Select" button is used to cycle through the different programming features (The Select Light Color will indicate which feature is currently being displayed). The "Setting" button is used to cycle through the available choices for the selected feature (The Setting Light Color will indicate which option is currently chosen).

The auto close timing and the gate sensitivity are adjusted by carefully rotating the small screws or dials.



(I indicates "on" and O indicates "off")

Top Electronics Identification



The **“Auto-Close” Dial** allows you to adjust the “Auto-Close” timing of the Boerboel opener. For dual gates, the “Auto-Close” Dial of the **Primary** opener will set the auto-close timing for both openers.

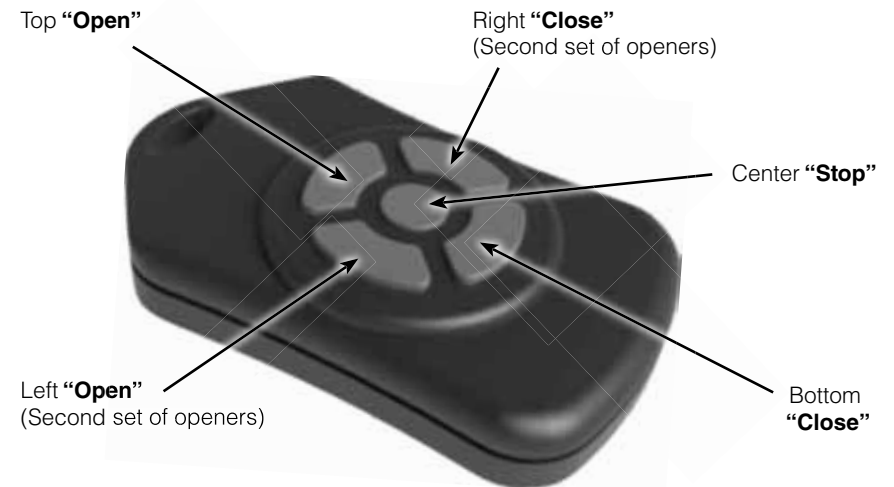
The **“Sensitivity” Dial** allows you to adjust the sensitivity of the Boerboel opener by rotating the dial. For dual gates, the “Sensitivity” Dial of the each opener will set the sensitivity of each opener independently.

Keychain Remote

The Boerboel Keychain Remote is a 5-button wireless transmitter. Each keychain remote can open/close up to two sets of Boerboel openers. To program the keychain remote, simply press either of the two “Open” buttons while your opener is in the “Learn Mode” (refer to the instructions on the following pages).

The top and bottom buttons will command one single or dual set of Boerboel openers to open or close, and the right and left buttons will command a second single or dual set of Boerboel openers to open or close.

The center “Stop” button will command any programmed opener to stop.



Tip: Any new wireless device that is learned during a later programming event will erase all previous devices and must be re-programmed. To save time, program or learn all wireless accessories at one time. The pairing between the primary and secondary openers will not need to be reset when adding or reprogramming new wireless accessories (key remote, wireless keypad).

Features

To access the adjustable features of the power opener, the system must first enter set-up mode. The features can then be accessed by depressing the “Select” and “Setting” buttons through a series of light changes and sounds.

Primary / Secondary Opener Select (Dual Gates, Only)

- Default setting is automatically set to Primary and for single gate installations, this feature does not need to be changed.
- For dual gates using hard-wired communication, the opener which is plugged into the electrical outlet should be the Primary opener.
- For dual gates, wired or wireless, the secondary opener must be set to Secondary during programming.

Gate Swing Direction

- Default setting is Clockwise.

Open / Close Sequence (Dual Gates, Only)

- This feature dictates whether your gates will open Simultaneously (Default) or Sequentially.
- For dual gates, basic installations use Simultaneous, which commands the gates to open and close at the same time. For gates using a positive stop or the Boerboel Bolt Lock Kit, a Sequential mode should be chosen (see Page 9 for detail):
- Sequential with Primary Overlap – commands the Primary gate to open first and close last (P-S-S-P).
- Sequential with Secondary Overlap – commands the Secondary gate to open first and close last (S-P-P-S).

Communication (Dual Gates, Only)

- This feature dictates whether the two Boerboel openers will communicate via hard wired connection (default) or wirelessly.

Wireless Learn Mode

- Enter the “Learn” mode to pair wireless devices to the Boerboel Opener, by pressing and holding down the “Setting” button until the “Setting” LED light turns RED which allows the opener to “listen” for transmissions from wireless devices such as Keychain Remotes and Wireless Keypads. The Primary opener will BEEP when a new wireless device is successfully paired. The “Setting” LED light will be RED when it is ready to pair a device. It will turn GREEN when successful, then go back to RED when ready to pair another device.
- This mode is also used when you pair your Secondary opener for wireless communication.
- Both openers will BEEP when successfully paired with each other. If a BEEP is not heard, the two openers did not successfully pair, and you will need to turn the power OFF on both openers, enter Setup Mode and repeat the “pairing” sequence.

Auto-Close (Screw Adjustment)

- This feature allows you to program your Boerboel openers to close automatically after a specified period of time. The auto-close feature can be adjusted from 15 to 120 seconds, or disabled by rotating the Auto-Close dial (screw) fully counter-clockwise.

Sensitivity (Screw Adjustment)


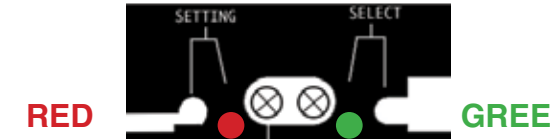


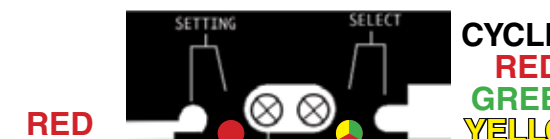
- The Boerboel opener has an auto-stop feature that will halt the gate movement when pressure is applied to the gate. Depending on the application of your gate, the sensitivity may need to be adjusted for safety reasons. You can adjust by rotating the Sensitivity dial (screw) counter-clockwise.

Programming - Single Gate Installation

Enter Setup Mode – With system turned OFF, press and hold down “Select” button. Keep held down while turning system ON. Keep held down while “Setting” light flashes (approx. 20 seconds). Opener will BEEP, signaling that it is now in Setup Mode. You can now begin programming.


* Pressing the “Select” button advances to the next feature

* Pressing the “Setting” button advances to the next setting of that selected feature.

Feature	“Setting” & “Select” Led Lights	Setting Indication Lights
1. Primary / Secondary Opener Select		Default - Primary
2. Gate Swing Direction		Default - Clockwise Counter-Clockwise - “Setting” light = GREEN
3. Open / Close Sequence		Default - Simultaneous (This feature only used with dual gates)
4. Communication		Default - Wired (This feature only used with dual gates)
5a. Wireless Learn Mode		Press & hold “Setting” button until Setting light turns RED (“Setting” LED light turns RED when it is ready to pair a device.)

****After 90 seconds of inactivity (no buttons pressed), the system will auto-exit the Setup Mode. If programming has not been completed in this time, you will need to repeat the programming sequence.**

Programming - Single Gate Installation

Feature	Wireless Device	Device Pairing Instructions
<p>5b. Wireless Device Pairing</p> <ul style="list-style-type: none"> -Keychain Remote (included) -Wireless Keypad (optional, sold separately) 		<p>(When the "Setting" LED light turns RED it is ready to pair a device. It will turn GREEN when successfully paired, then go back to RED when ready to pair an additional device.)</p> <ul style="list-style-type: none"> -When RED, press the top button on the Keychain Remote(s) and/or primary code on your Wireless Keypad (if purchased). - Opener will BEEP with each successfully paired device. - If no BEEPS, you need to turn OFF and repeat Learn Mode and Wireless Device Pairing Modes. <p>Tip: Any new wireless device that is learned during a later programming event will erase all previous devices, and they will need to be re-programmed. To save time, program or learn all wireless accessories at one time.</p>

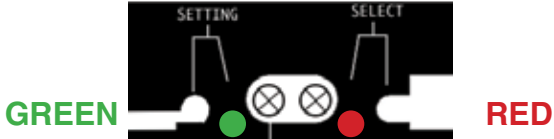

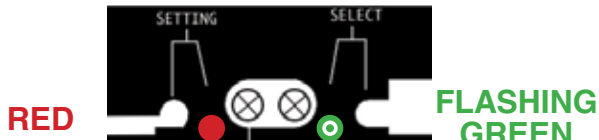
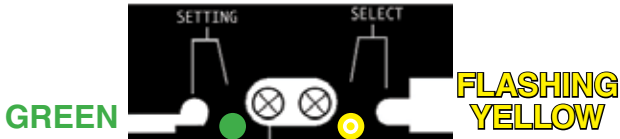

When programming is complete, turn opener OFF. Turn opener back ON, and operate the Gate Opener via the wireless device for two open-close cycles to verify proper operation.

After 90 seconds of inactivity (no buttons pressed), the system will auto-exit the Setup Mode. If programming has not been completed in this time, you will need to repeat the programming sequence.

Programming - Dual Gate Installation (Wireless)

First, Put Primary opener in Setup Mode – With system turned OFF, press and hold down “Select” button. Keep held down while turning system ON. Keep held down while “Setting” light flashes (approx. 20 seconds). Opener will BEEP, signaling that it is now in Setup Mode. **You can now begin programming the Primary opener.**


* Pressing the “Select” button advances to the next feature * Pressing the “Setting” button advances to the next setting of that selected feature.

	Feature	“Setting” & “Select” Led Lights	Setting Indication Lights
Primary Opener Programming	1-1. Primary / Secondary Opener Select		Default - Primary - “Setting” light = GREEN
	1-2. Gate Swing Direction		Default - Clockwise - “Setting” light = RED Counter-Clockwise - “Setting” light = GREEN
	1-3. Open / Close Sequence		Default - Simultaneous - “Setting” light = RED Sequential with Primary Overlap - “Setting” light = GREEN (P-S-S-P) Sequential with Secondary Overlap - “Setting” light = YELLOW (S-P-P-S)
	1-4. Communication		Default - Wired = GREEN Wireless - “Setting” light = RED
	1-5a. Wireless Learn Mode		Press & hold “Setting” button until light turns RED . (“Setting” LED light turns RED when it is ready to pair a device)

****After 90 seconds of inactivity (no buttons pressed), the system will auto-exit the Setup Mode. If programming has not been completed in this time, you will need to repeat the programming sequence.**

Programming - Dual Gate Installation (Wireless) cont.

Next, you will pair your wireless devices to the Primary opener. (“Setting” light should still be RED)
*If your Keychain(s) and/or Keypad(s) have already been paired to the Primary opener, you do not have to perform this step.

Primary Opener - Wireless Device Pairing	Feature	Wireless Devices	Device Pairing Instructions
	1-5b. Wireless Device Pairing	 <p>Top “Open”</p> <p>Right “Close” (Second set of openers)</p> <p>Center “Stop”</p> <p>Bottom “Close”</p> <p>Left “Open” (Second set of openers)</p> <p>Wireless Keypad (optional)</p>	<p>When the “Setting” LED light turns RED it is ready to pair a device. It will turn GREEN when successfully paired, then go back to RED when ready to pair an additional device.</p> <ul style="list-style-type: none"> - When RED, press the top button on the Keychain Remote(s) and/ or primary code on your Wireless Keypad (if purchased). - Opener will BEEP with each successfully paired device. - If no BEEPS, you need to turn OFF and repeat Learn Mode. <p>** DO NOT associate any wireless device to Secondary opener.</p> <p>Tip: Any new wireless device that is learned during a later programming event will erase all previous devices and must be re-programmed. To save time, program or learn all wireless accessories at one time. The pairing between the primary and secondary openers will not need to be reset when adding or reprogramming new wireless accessories (key remote, wireless keypad).</p>

When this step is complete, proceed to program the Secondary opener.

After 90 seconds of inactivity (no buttons pressed), the system will auto-exit the Setup Mode. If programming has not been completed in this time, you will need to repeat the programming sequence.

Programming - Dual Gate Installation (Wireless) cont.

Next, put the Secondary opener in Setup Mode - With system turned OFF, press and hold down "Select" button. Keep held down while "Setting" light flashes (approx. 20 seconds). Opener will BEEP, signaling that it is now in Setup Mode. You can now begin programming the Secondary opener.

* Pressing the "Select" button advances to the next feature * Pressing the "Setting" button advances to the next setting of that selected feature.

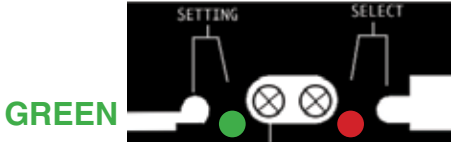
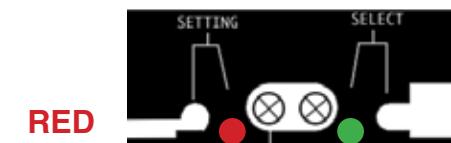
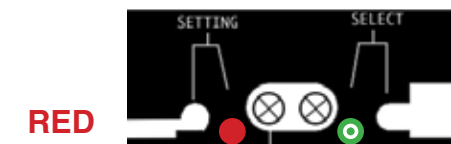
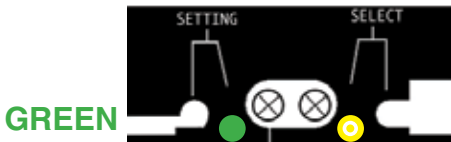
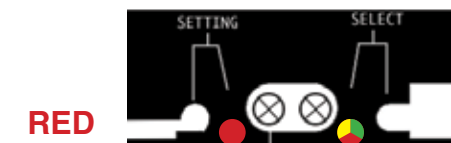
Secondary Opener Programming	Feature	"Setting" & "Select" Led Lights	Setting Indication Lights
	2-1. Primary / Secondary Opener Select		Default - Primary - "Setting" light = GREEN Change to Secondary - "Setting" light = RED
	2-2. Gate Swing Direction		Default - Clockwise - "Setting" light = RED Counter-Clockwise - "Setting" light = GREEN
	2-3. Open / Close Sequence	Feature not available for Secondary opener programming Primary opener determines the Open/Close Sequence	
	2-4. Communication		Default - Wired = GREEN Wireless - "Setting" light = RED
	2-5a. Wireless Learn Mode		Press & hold "Setting" button until light turns RED . ("Setting" LED light turns RED when it is ready to pair a device) Primary opener will BEEP then the Secondary will BEEP, to confirm successful pairing of the two openers.

**** When programming is complete, turn both openers OFF. Turn both openers back ON, in any order, and operate the Dual gate openers via the wireless device(s) for two open-close cycles to verify proper operation. After 90 seconds of inactivity (no buttons pressed), the system will auto-exit the Setup Mode. If programming has not been completed in this time, you will need to repeat the programming sequence.**

Programming - Dual Gate Installation (Hard Wired)

First, Put Primary opener in Setup Mode – With system turned OFF, press and hold down “Select” button. Keep held down while turning system ON. Keep held down while “Setting” light flashes (approx. 20 seconds). Opener will BEEP, signaling that it is now in Setup Mode. You can now begin programming the Primary opener.

* Pressing the “Select” button advances to the next feature * Pressing the “Setting” button advances to the next setting of that selected feature.

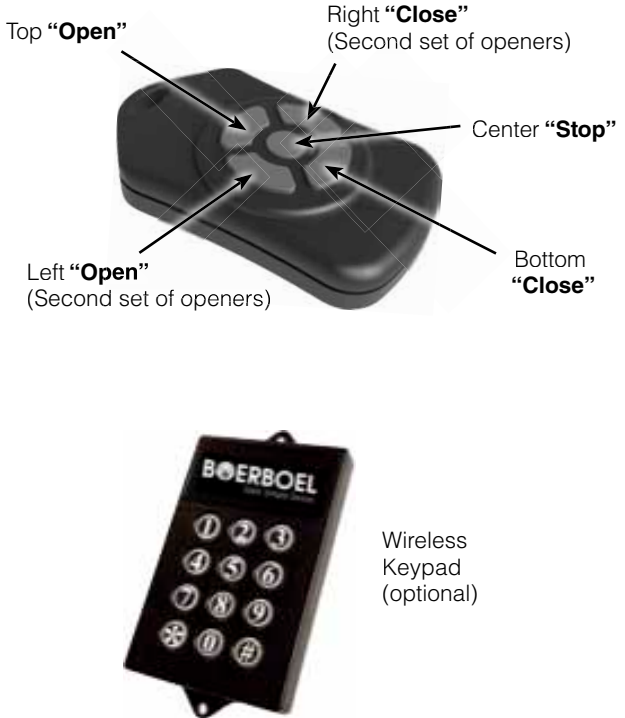
Primary Opener Programming	Feature	“Setting” & “Select” Led Lights	Setting Indication Lights
	1-1. Primary / Secondary Opener Select		Default - Primary - “Setting” light = GREEN
	1-2. Gate Swing Direction		Default - Clockwise - “Setting” light = RED Counter-Clockwise - “Setting” light = GREEN
	1-3. Open / Close Sequence		Default - Simultaneous - “Setting” light = RED Sequential with Primary Overlap - “Setting” light = GREEN (P-S-S-P) Sequential with Secondary Overlap - “Setting” light = YELLOW (S-P-P-S)
	1-4. Communication		Default - Wired = GREEN
	1-5a. Wireless Learn Mode		Press & hold “Setting” button until light turns RED . (“Setting” LED light turns RED when it is ready to pair a

****After 90 seconds of inactivity (no buttons pressed), the system will auto-exit the Setup Mode. If programming has not been completed in this time, you will need to repeat the programming sequence.**

Programming - Dual Gate Installation (Hard Wired) cont.

Next, you will pair your wireless devices to the Primary opener. ("Setting" light should still be RED)

**** If your Keychain(s) and/or Keypad(s) have already been paired to the Primary opener, you do not have to perform this step.**

Primary Opener - Wireless Device Pairing	Feature	Wireless Device	Device Pairing Instructions
	1-5b. Wireless Device Pairing		<p>When the "Setting" LED light turns RED it is ready to pair a device. It will turn GREEN when successfully paired, then go back to RED when ready to pair an additional device.</p> <ul style="list-style-type: none"> - When RED, press the top button on the Keychain Remote(s) and/or primary code on your Wireless Keypad (if purchased). - Opener will BEEP with each successfully paired device. - If no BEEPS, you need to turn OFF and repeat Learn Mode. <p>** DO NOT associate any wireless device to Secondary opener.</p> <p>Tip: Any new wireless device that is learned during a later programming event will erase all previous devices and must be re-programmed. To save time, program or learn all wireless accessories at one time. The pairing between the primary and secondary openers will not need to be reset when adding or reprogramming new wireless accessories (key remote, wireless keypad).</p>

When this step is complete, proceed to program the Secondary opener.

After 90 seconds of inactivity (no buttons pressed), the system will auto-exit the Setup Mode. If programming has not been completed in this time, you will need to repeat the programming sequence.

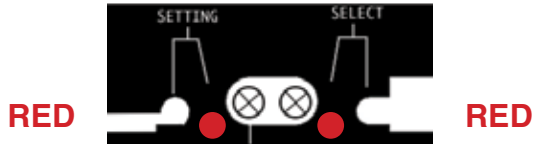
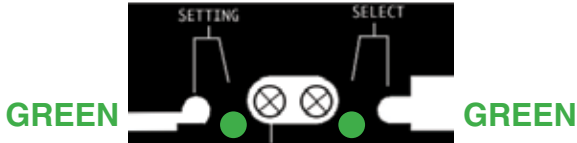

Programming - Dual Gate Installation (Hard Wired) cont.

The **Secondary opener should still be in Setup Mode** Now begin to program the Secondary opener.

(If the LED lights on the Secondary are no longer ON, quickly put it back into Setup Mode and proceed to program)

* Pressing the “Select” button advances to the next feature

* Pressing the “Setting” button advances to the next setting of that selected feature.

Secondary Opener Programming	Feature	“Setting” & “Select” Led Lights	Setting Indicator Lights
	2-1. Primary / Secondary Opener Select		Default - Primary - “Setting” light = GREEN **Change to Secondary - “Setting” light = RED
	2-2. Gate Swing Direction		Default - Clockwise - “Setting” light = RED Counter-Clockwise - “Setting” light = GREEN
	2-3. Open / Close Sequence	Feature not available for Secondary opener programming Primary opener determines the Open/Close Sequence	
	2-4. Communication		Default - Wired = GREEN
	2-5a. Wireless Learn Mode	This step not required for hard wired configuration	

**** When programming is complete, turn both openers OFF. Turn the SECONDARY opener ON first, followed by the Primary opener, and operate the Dual gate openers via the wireless device(s) for two open-close cycles to verify proper operation. After 90 seconds of inactivity (no buttons pressed), the system will auto-exit the Setup Mode. If programming has not been completed in this time, you will need to repeat the programming sequence.**

Troubleshooting

If your Boerboel Opener does not function properly after it has been installed, use this guide before calling Customer Support.

Symptoms	Checks	Possible Solutions
Gates Are Not Moving	Power Supply	<p>Make sure power adapter(s) are plugged into electrical outlet(s) and the power cord is properly connected to the bottom of the opener(s).</p> <p>When using dual openers that are hard wired, make sure they are properly connected to each other (page 11).</p> <p>When using solar power, check to make sure the solar panel(s) are properly connected to the bottom of the opener(s) (see the Solar Panel Kit manual).</p>
	Power Switch	<p>Make sure the power switch is in the "ON" position (page 12, figure 14b).</p> <p>Check to make sure the "Setting" light flashes when you first turn the opener "ON".</p>
	Programming of the Openers	<p>Enter the "Set-up" mode and check to make sure the opener(s) are programmed correctly to your desired configuration (pages 15-22).</p> <p>With a single opener, you may need to "pair" all wireless devices to the opener once again.</p> <p>With dual openers, you may need to "pair" the openers again, followed by the "pairing" of all wireless devices.</p>
Secondary Gate Not Moving / Accessories Not Working	Tension Lever	<p>In some cases you may need to readjust your gate(s). First, power the opener(s) "OFF", open the tension lever(s) and position the gate(s) to the "open" position. Lock the tension lever(s) and power the opener(s) "ON". Run a few open/close cycles to see if this has resolved the issue.</p>
	Peripheral Connections	<p>Be sure to connect all accessories to the appropriate port(s) on your Boerboel Opener(s) and turn "ON" secondary openers, before powering "ON" the primary opener.</p> <p>The Boerboel Opener has an "auto-detect" feature which searches for peripheral devices every five minutes. If you had failed to connect all accessories prior to turning "ON" the primary opener, simply wait approximately five minutes for the "auto-detect" feature to pick up the device(s).</p>
Gates Move Slowly	Battery Charge	<p>Make sure to charge the battery at least 2 hours prior to initial programming of your opener(s). This is done by simply plugging the power adapter(s) into the electrical outlet(s). Proper voltage of the opener's battery should be between 12 and 13.5 V.</p>
		<p>When using solar power, be sure to leave the panel(s) in direct sunlight for a minimum of 48 hours, prior to initial installation. Doing so should fully charge the battery for first use. Proper voltage of the solar panel battery should be at least 12V.</p> <p>In cloudy areas, the solar panel should be attached to a 20 amp battery to allow the opener to function up to 14 days of non-sunlight.</p>
Keychain / Keypad Not Working	Programming of the Device(s)	<p>Enter the "Set-up" mode and reprogram your wireless device(s).</p> <p>With a single opener, "pair" all wireless devices to the opener once again.</p> <p>With dual openers, "pair" the openers again, followed by the "pairing" of all wireless devices.</p>

For additional support and to learn about Boerboel's full line of products, call
1-888-418-4400



BOERBOEL

Solid. Simple. Secure.

IMPORTANT!

**Updated Installation
Instructions Enclosed**

For the latest information and tips, visit
www.boerboelgatesystems.com

Fragile, Do not drop.

Problems with the Boerboel Opener?

DO NOT RETURN TO THE STORE

Please call 1-888-418-4400

INSTALLATION ADVICE
TECHNICAL ASSISTANCE
MISSING OR BROKEN PARTS

For more information on Boerboel's full line of products, please visit our website at:

www.boerboelgatesystems.com