

SELF CONTAINED DIGITAL ACCESS CONTROL KEYPAD



WITH WIEGAND OUTPUT & DATA I/O

DOLKSS1KB Programming & Installation Manual

FOR ELECTRIC LOCK INSTALLATION

DOLKSS1KB

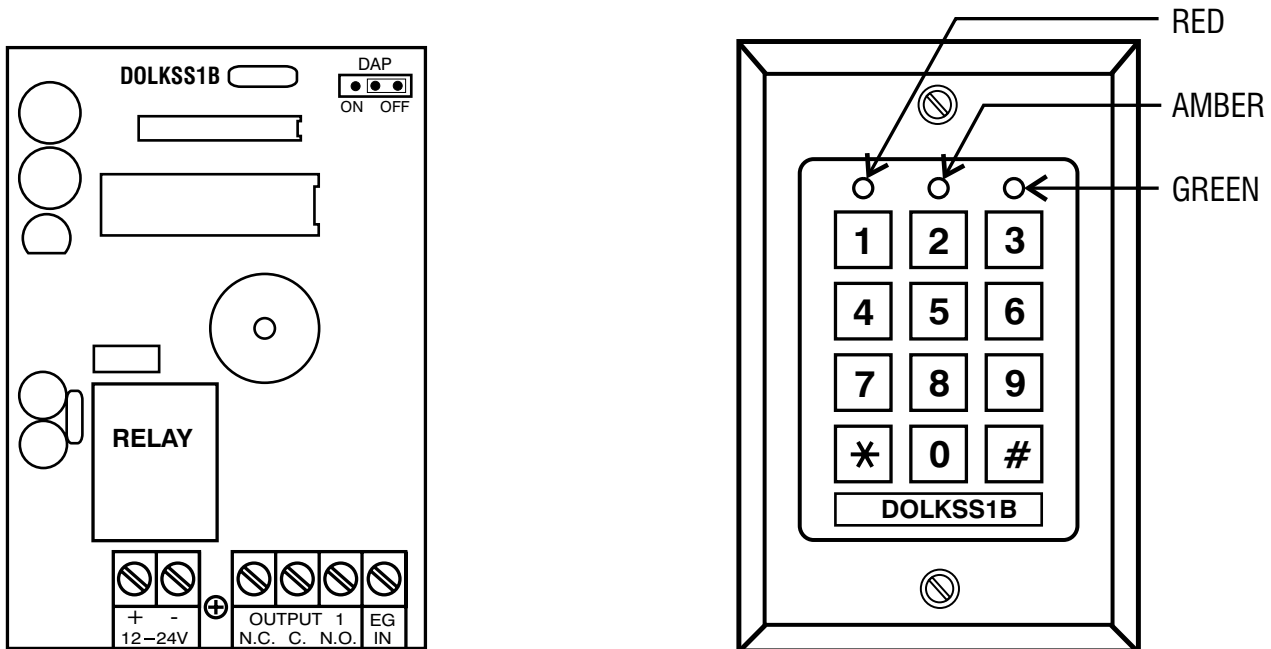
Programming and installation manual

INTRODUCTION

DOLKSS1KB is a universal digital access keypad that offers reliability and cost-effective solutions for residential and commercial installations. It is designed for a stand-alone electric lock that operates from a 12V-24V AC/DC power supply. It is virtually compatible with any electric locking device.

DOLKSS1KB features two settings: Single User Mode, which grants a single 4-digit code for access and Multi-User Mode, which grants up to 100 unique 4-8 digit codes for access. The DOLKSS1KB also has a feature to temporarily lock all access to users until unlocked. The memory stored in the DOLKSS1KB will not be erased in the event of a power failure.

CONNECTION TERMINALS



- 12V-24V AC/DC (Power input)
 - Connect 12V-24V AC/DC power. The (-) is the common ground.
- Output 1 (Relay Output)
 - N.C. (Normally closed)
 - Use N.C. for equipment that requires a constant flow of electricity to function properly. Ex. Magnetic locks, receivers, etc.
 - COM (Common ground)
 - N.O. (Normally open)
 - Use N.O. for equipment that requires a temporary surge of electricity to activate. Ex. Electric door locks, automated gates, etc.
- EG. IN (Egress input)
 - The optional EG. IN is commonly connected to buttons. Buttons that are connected to EG. IN will grant access when pressed.
- LED Indicators
 - Red
 - The red LED indicates if the "Access Lock" is activated. This feature temporarily denies all access to users until reauthorized. Refer to the Access Lock section for

more details.

- Yellow
 - It flashes on Standby. The Yellow LED also indicates the system's status in synchronization with the tones.
- Green
 - This LED indicates a successful access.
- DAP Jumper
 - Used to access Programming Mode without using the Master Code

THE DAP JUMPER (DIRECT ACCESS TO PROGRAMMING)

If the master code is forgotten, use the DAP jumper to reset the DOLKSS1KB into programming mode. DAP can be accessed with the following procedure:

1. Disconnect the power supply.
2. Switch the DAP jumper from off to on.
3. Reconnect the power supply (the buzzer will activate).
4. Switch the DAP jumper back to the off position.
5. The keypad is in programming mode and ready to receive new programming data.

KEYPAD TONES AND THE LED SIGNALS

STATUS	TONES	LED SIGNALS
1. In programming mode		Solid Yellow
2. Successful key entry	1 Beep	1 Flash
3. Successful code entry	2 Beeps	2 Flashes
4. Unsuccessful code entry	5 Beeps	5 Flashes
5. DAP jumper not replaced	Continuous Beeps	Continuous Flashes
6. Standby mode		1 flash every 2 seconds
7. Output relay activated	1-second Beep	

THE FACTORY-SET MASTER CODE

If programming the DOLKSS1KB for the first time, the default master code is 0000. Refer to the programming chart to set a new master code.

SINGLE USER MODE AND MULTI-USER MODE

The DOLKSS1KB features two settings: Single User Mode, which grants a single 4-digit code for access and Multi-User Mode, which grants up to 100 unique 4-8 digit codes for access.

- **Single User Mode**

Single User Mode will grant access for a single 4-digit code. This mode will not require the user to press the # key after code entry.

- **Multi-User Mode**

Multi-User Mode will grant access for up to 100 unique 4-8 digit codes. The user codes will require a # key after code input.

The Multi-User Mode Limitation

The first digit of each user code cannot be +2 or -2 of a stored user code. For example, if User Code: 5678 was stored in the system, User Code: 3678 and 7678 are not allowed.

IMPORTANT NOTES FOR SWITCHING BETWEEN SINGLE USER MODE AND MULTI-USER MODE:

- Switching between Single User mode and Multi-User Mode will reset all data for the DOLKSS1KB except the master code.
- Be sure the User Code, Authorization Code, and Master Code are 4-digits for Single User Mode. Code entry will not be accepted otherwise.
- It is necessary to change the Master Code to 4-digits before switching from Multi-User Mode to Single User Mode.
- The system takes 2 to 3 seconds to switch between modes. During its switch, do not press any buttons until the 2 confirmation beeps are heard.

ACCESS LOCK

Access Lock is an optional feature of the DOLKSS1KB. An authorization code can be set-up to control access. The authorization code will lock all access to all users until unlocked. When Access Lock is activated, the red LED will remain on.

PROGRAMMING CHART

DOLKSS1KB		
Keypad Feature	Code Entry	Comments
Begin Programming Mode (Solid Yellow)	Master Code *	Set System into Programming Mode. The default Master Code is 0000. Note: All of the following commands must be keyed while in Programming Mode.
End Programming Mode	*	Return to normal operation.
Single User Mode		
Single User Mode	8900 #	Set to Single User Mode and clear all data
Set Master Code	0 4-digit code #	Set your new Master Code.
Add User Code for general access	1 4-digit code #	Set 4-digit code for general access.
Set optional Authorization Code for Access Lock	2 4-digit code #	Set 4-digit code for Access Lock activation.
Multi-User Mode		
Multi-User Mode	8901 #	Set to Multi User Mode and clear all data
Set Personal Master Code	0 4-8 digit code #	Set your new Master Code. Important Note: It is necessary to change the Master Code to 4-digits before switching from Multi-User Mode to Single User Mode.
Add Access Code for up to 100 different users.	1 User number: 00 to 99 4-8 digit code #	Set 4-8 digit code for general access. Each unique 4-8 digit code will require a new user number. Important Note: It is important to document your user numbers because users can be deleted and reassigned new codes for access.
Delete User	1 User number: 00 to 99 #	Deletes the user and removes their Access Code
Set optional Authorization Code for Access Lock	2 User number: 0 to 9 4-8 digit code #	Set 4-8 digit code for Access Lock activation.

Lock Settings		
Set door unlock timer	40 Seconds: 1-999 #	Set the amount of seconds the device will grant access before locking again.
Set Access Code to toggle [open/close]	41 #	Entering Access Code will toggle the lock to stay open. Entering the Access Code again will toggle back to lock.
Set Access Code to toggle [open/close] (partial entry)	42 #	Entering [The first 2 digits of an access code, #] will toggle lock to remain open and entering the full access code will toggle back to close.
Safety Settings		
Default safety setting	70 #	After 10 successive false codes, the keypad is disabled for 30 seconds
Extended safety settings	72 Number of false entries: 5-10 #	After [5-10] successive false code entries, the keypad is disabled for 15 minutes or until the Master Code is entered.
Disable all safety settings	7600 #	
Sound Settings		
All sounds - On	831 #	All sounds will be activated
All sounds - Off	830 #	All sounds will be disabled
Access sound - 1 second buzz	811 #	Upon unlocking, the keypad will signal granted access with a 1-second buzz
Access sound - 2 short beeps	810 #	Upon unlocking, the keypad will signal granted access with 2 short beeps
Auto/Manual Code Entry Settings		
Auto Code Entry Mode	821 #	The # key after entering an access code will NOT be required. Important Note: For this feature to work with Multi-User Mode, the Master Code and Access Codes must be the same number of digits. Ex. If the Master Code is 6-digits, then the Access Codes must also be 6-digits to have the Auto Code Entry Mode to work.
Manual Code Entry Mode	820 #	The # key after entering an access code will be required
Flashing Yellow LED Settings		
Flashing Yellow LED - On	841 #	The Yellow LED will blink every 2 seconds during functionality
Flashing Yellow LED - Off	840 #	The Yellow LED will not blink during functionality
Access Lock (Optional)		
Set Authorization Code (Single User Mode)	2 4-digit code #	Set 4-digit code for Access Lock activation.
Set Authorization Code (Multi-User Mode)	2 User number: 0 to 9 4-8 digit code #	Set 4-8 digit code for Access Lock activation.
Set Access Lock timer	50 Seconds: 1-999 #	Set the amount of seconds Access Lock will activate before deactivating
Set Authorization Code to toggle [on/off]	51 #	Entering Authorization Code will toggle Access Lock on. Entering the Authorization Code again will toggle Access Lock off.

Set Authorization Code to toggle [on/off] (partial entry)	52 #	Entering [The first 2 digits of an Authorization Code, #] will toggle Access Lock on and entering the full Authorization Code will toggle Access Lock to off.
---	------	---

SPECIFICATIONS

Operation Voltage:

12V-24V AC/DC, No jumper is required for voltage selection

Operation Modes:

Single User Mode, Auto, or Manual Code Entry

Multi-User Mode, Auto, or Manual Code Entry

User Code Combinations:

Single User Mode: 10,000

Multi User Mode: 111,110,000

Multi User Mode: 100 user codes for door open (User number: 00-99)

Access Lock Mode: 10 user codes for Access Lock codes (User number: 0-9)

Egress input:

Normally open

Relay Output Contacts:

Normally Closed and Normally Open Dry Contacts, 5A / 30VDC Max. Rating

Auto Refreshing Time During Code Entry:

Each digit maximum entry time limit – 10 seconds

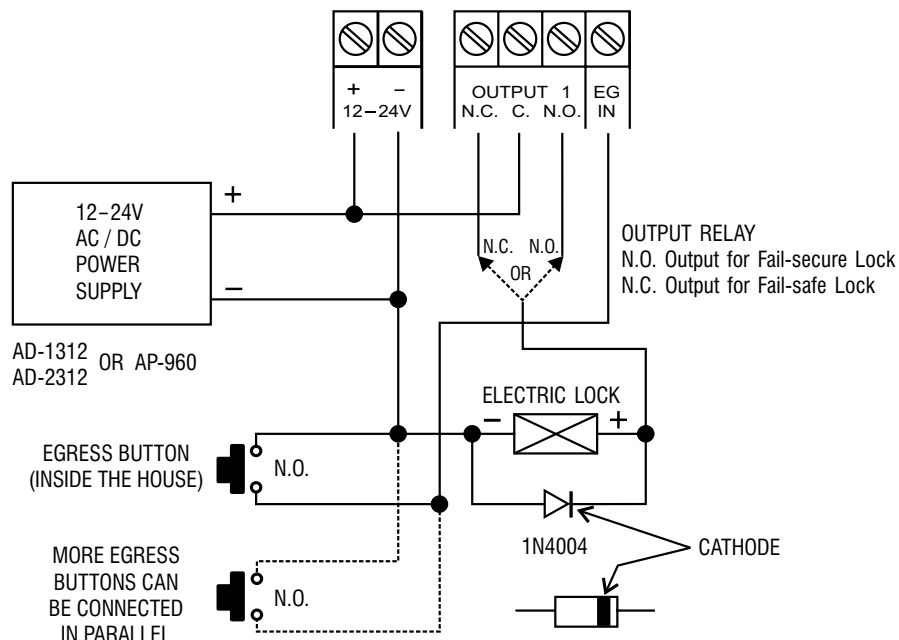
Each code maximum entry time limit – 30 seconds

Dimensions: 4 5/8(H)" x 2 7/8(W)" X 1 7/8(D)"

Weight: 5.5oz net

Specifications are subject to change for modification without notice

BASIC WIRING EXAMPLE – Basic wiring of a stand-alone door lock



Note:

- Connect 1N4004 as close as possible to the lock parallel with the lock power terminals to absorb the back EMF and prevent keypad damage. The 1N4004 is not required for AC power.
- To avoid electrostatic discharge from interfering with the keypad, always ground the terminal.

Quick Programming Guide (Simple) - Single code access

1. Enter: (Default [Master Code]: 0000)
2. Enter:
3. Enter:
4. Enter:
5. Enter:
6. To gain access: Enter the

Quick Programming Guide (Advanced) – Multi-code access

1. Enter: (Default Master Code: 0000)
2. Enter:
3. Enter:
4. Enter:
5. Enter:
6. To gain access: Enter the followed by the key.

Refer to the DOLKSS1KB manual for additional programming options.

TRANSMITTER SOLUTIONS WARRANTY

The warranty period of this product is 12 months from the purchasing date. During this period, if the product does not operate correctly due to a defective component, the product will be repaired or replaced at the sole discretion of Transmitter Solutions. This warranty does not extend to the product's casing, which can be damaged by conditions outside of the control of Transmitter Solutions.



7380 S. Eastern Ave, Suite 124-320 • Las Vegas, NV 89123
(866) 975-0101 • (866) 975-0404 fax
www.transmittersolutions.com