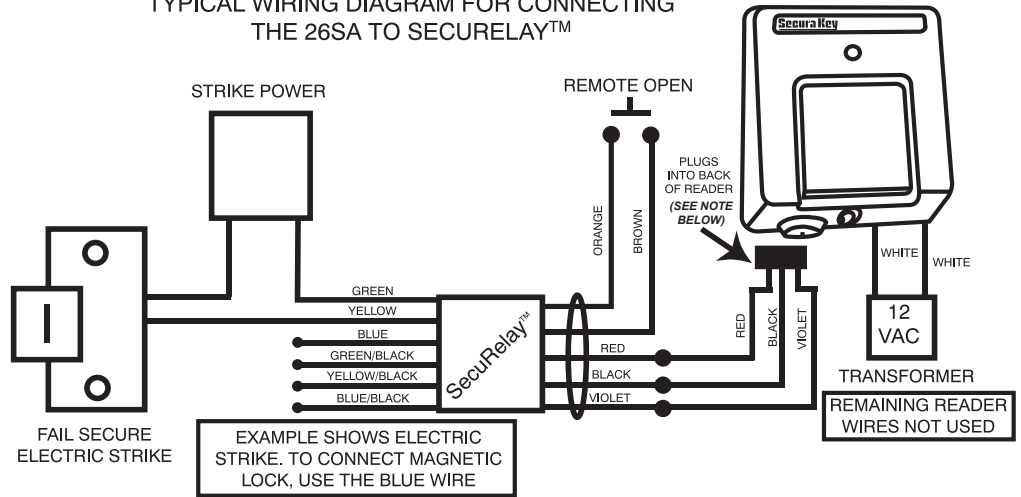


Connecting SecuRelay™ to an Entracomp® 26SA

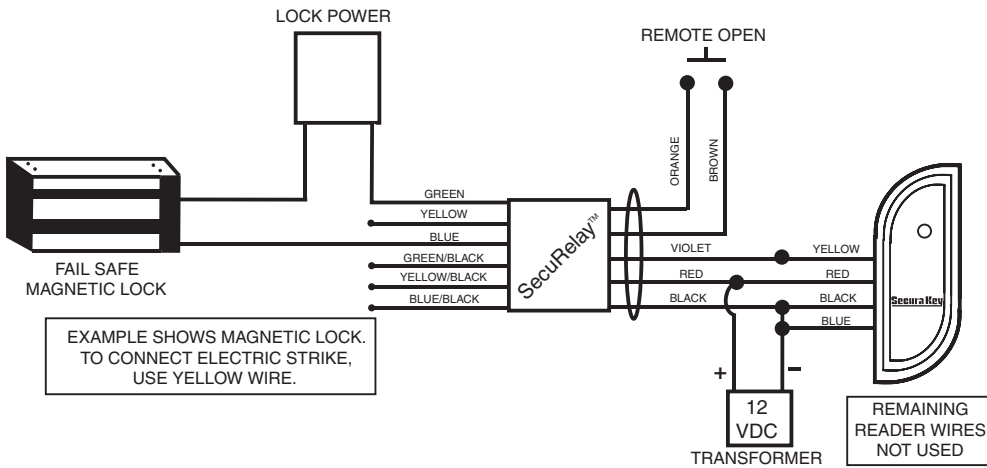
1. Splice the Red, Black and Violet wires to the enclosed Com Port Adapter which terminates in a snap-in plug. (You may splice in additional wire if the leads are too short.) Insert this plug into the 3-pin header on the 26SA. (SEE NOTE BELOW).
2. Connect your electric locking device or gate operator to the SecuRelay™ using appropriate Common, Normally Open or Normally Closed circuits (see chart below).
3. Connect the Orange and Brown wires to a normally open switch for Remote Open, if required.

TYPICAL WIRING DIAGRAM FOR CONNECTING THE 26SA TO SECURELAY™



Connecting SecuRelay™ to a Radio Key® RK-65K, RK-65KS or RK100M

TYPICAL WIRING DIAGRAM FOR CONNECTING THE RK65K OR RK100M TO THE SECURELAY™



1. Connect the Violet wire to the Yellow wire on the reader. Connect the Red wire to the Red wire on the reader and to positive DC power. Connect the Black wire to BOTH the Black and the Blue wires on the reader, and to negative DC power.
2. Connect your electric locking device or gate operator to the SecuRelay™ using appropriate Common, Normally Open or Normally Closed circuits (see chart below).
3. Connect the Orange and Brown wires to a normally open switch for Remote Open, if required.

SecuRelay™ WIRING CHART

RED	+5-12 VDC
BLACK	- GROUND
VIOLET	SIGNAL
ORANGE	REMOTE OPEN
BROWN	REMOTE OPEN
GREEN	COMMON #1
YELLOW	NORMALLY OPEN #1
BLUE	NORMALLY CLOSED #1
GREEN/BLACK	COMMON #2
YELLOW/BLACK	NORMALLY OPEN #2
BLUE/BLACK	NORMALLY CLOSED #2

Connects to Reader (26SA Uses Plug with Pigtail) *

NOTE: If your 26SA does not have a 3-pin header, see the wiring instructions below and consult the reader manuals for instruction on placing the unit in SecuRelay™ mode.

SecuRelay™	ENTRACOMP® 26SA
RED WIRE	RED WIRE (PIN 7)
VIOLET WIRE	YELLOW WIRE (PIN 3)
BLACK WIRE	BROWN WIRE (PIN 10)
N/A	CONNECT GREEN WIRE (PIN 5) TO BROWN WIRE (PIN 10)

SecuRelay™ from Secura Key Installation Instructions

The SecuRelay™ enhances the security of standalone access control products by removing the lock control relay from the access control unit and allowing the installer to locate it in a protected place. SecuRelay™ learns the unique ID of a single access control unit and operates the DPDT dry contact relay only when a valid card causes that signal to be sent. Without a valid card there is nothing that an attacker can do at the access control unit that will activate the SecuRelay™.

Remote Open

The SecuRelay™ includes a Remote Open circuit which you may wish to utilize. (NOTE: The Remote Open input on the access control unit is disabled when the SecuRelay™ mode is activated.) When used with the RK-65K or RK100M, the SecuRelay™ will operate for three seconds whenever you close the Remote Open circuit. In the case of the 26SA, the SecuRelay™ will learn the latch time set in the reader and will duplicate it whenever the Remote Open circuit is activated.

Physical Installation

Install the SecuRelay™ in such a way that an intruder cannot reach it. If it is located in the wall or doorframe near the access control unit, take precautions so that it cannot be pulled out by the attached wires. We recommend that the body of the SecuRelay™ be physically attached to something, perhaps with nylon ties. You may want to locate the SecuRelay™ in a junction box with access only from inside the protected area. Keeping the amount of slack wire to a minimum will also prevent unauthorized access to the SecuRelay™.

Also be sure that the Remote Open switch, if used, and the Orange and Brown wires are not accessible to any would-be intruder. SecuRelay™ is well sealed but it should not be located in a wet location.

Initialize the SecuRelay™

After all wiring is connected, disconnect the power to the access control unit. Connect the Orange and Brown wires together. (If you have installed a normally open Remote Open switch, simply close the switch.) While the Orange/Brown circuit is closed, restore power to the access control unit. Disconnect the Orange and Brown wires. The SecuRelay™ will now recognize only that access control unit. (If it is ever necessary to replace the access control unit, you will need to repeat the initialization process.)

FCC Warning: This device complies with Part 15 of the Class B FCC rules. Operation is subject to the following two conditions: (1) This device may not cause harmful interference and (2) this device must accept any interference received, including interference that may cause undesired operation.



3321638 6633

Secura Key
A Division of SOUNDCRAFT Inc.

20301 Nordhoff Street • Chatsworth, CA 91311
phone 818-882-0020 • fax 818-882-7052
TOLL-FREE (800) 891-0020
E-mail: mail@securakey.com
Web site: www.securakey.com