



Transmitter Solutions 433 MHz Vestibule Receiver (RECTS433SEQ) - Sequencing

This is entering the building- Exterior Door

Exterior Sequencer - On the Sequencer press **PV** and hold about 4 seconds until the red LED lights up (push **Exterior Transmitter Solutions switch with TRAHANSBUT433 transmitter**)

Go to-

Interior Sequencer - On the Sequencer press **PR** and hold about 4 seconds until the red LED lights up (push **Exterior Transmitter Solutions switch again**)

Push **Exterior Transmitter Solutions Switch-**

Once you have this programmed the **Exterior** door should open immediately and the **Interior** Door will have a **10** second delay.

Programming Interior door- (inside to outside)

Interior Sequencer - On the Sequencer press **PV** and hold about 4 seconds until the red LED lights up (push **Exterior Transmitter Solutions switch with TRAHANSBUT433 transmitter**)

Go to-

Exterior Sequencer - On the Sequencer press **PR** and hold about 4 seconds until the red LED lights up (push **Interior Transmitter Solutions switch again**)

Once you have this programmed the **Interior** door should open immediately and the **Exterior** door will have a **10** second delay.

Vestibule Switch-
SINGLE SWITCH IN THE VESTIBULE

Exterior & Interior Sequencer - On the Sequencer press **PV** and hold about 4 seconds until the red LED lights up (push the switch for each sequencer)

This will open both doors at the same time.

Adding a delay on the Sequencers-

Examples:

PR=1 second

PV=5 seconds

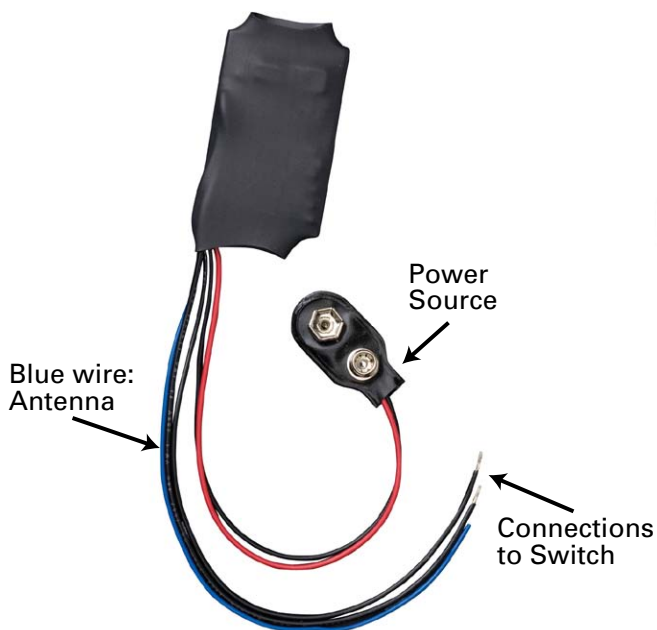
PR-PR-PR-PR-PR=1+1+1+1+1=5 Seconds

PR-PR-PV-PV=1+1+5+5=12 Seconds

PR-PR-PR-PR-PR-PV-PV-PV-PV-PV-PV=1+1+1+1+1+5+5+5+5+5=30 Seconds

Delete Full memory-

On the **Sequencer** press **PR**- Red & Green light will illuminate hold until green light turns off. Immediately after press **PR** & **PV** simultaneously until Red & Green light start flashing 3 times.



433 Mhz Module

Sequencing Receiver

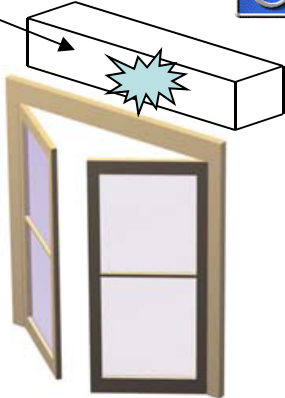


Push Plate

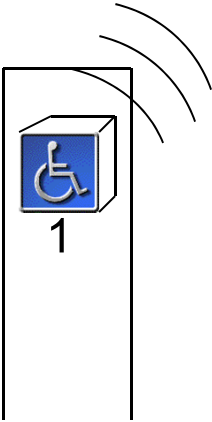
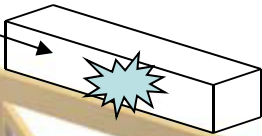
**PassAbility
Vestibule Squencing Receiver**

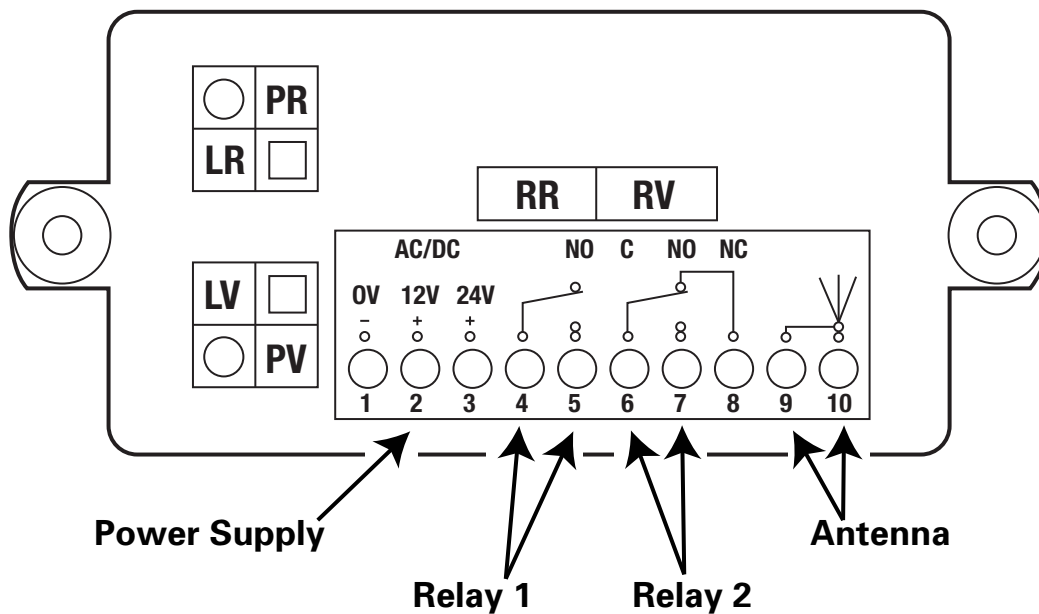


2



**PassAbility
Vestibule Squencing Receiver**





Terminals-1, 2,3 Power Supply

Terminal 4,5- Relay 1 Wire to Operator 1

Terminal 6,7- Relay 2 Wire to Operator 2

Terminal 8- Normally Closed for Relay 2

Terminal 9-Is for Shielding of the Antenna

Terminal 10-Is for the Pole of the Antenna



7380 S. Eastern Avenue, Suite 124-320 • Las Vegas, NV 89123
 (866) 975-0101 * (866) 975-0404 Fax
www.transmittersolutions.com