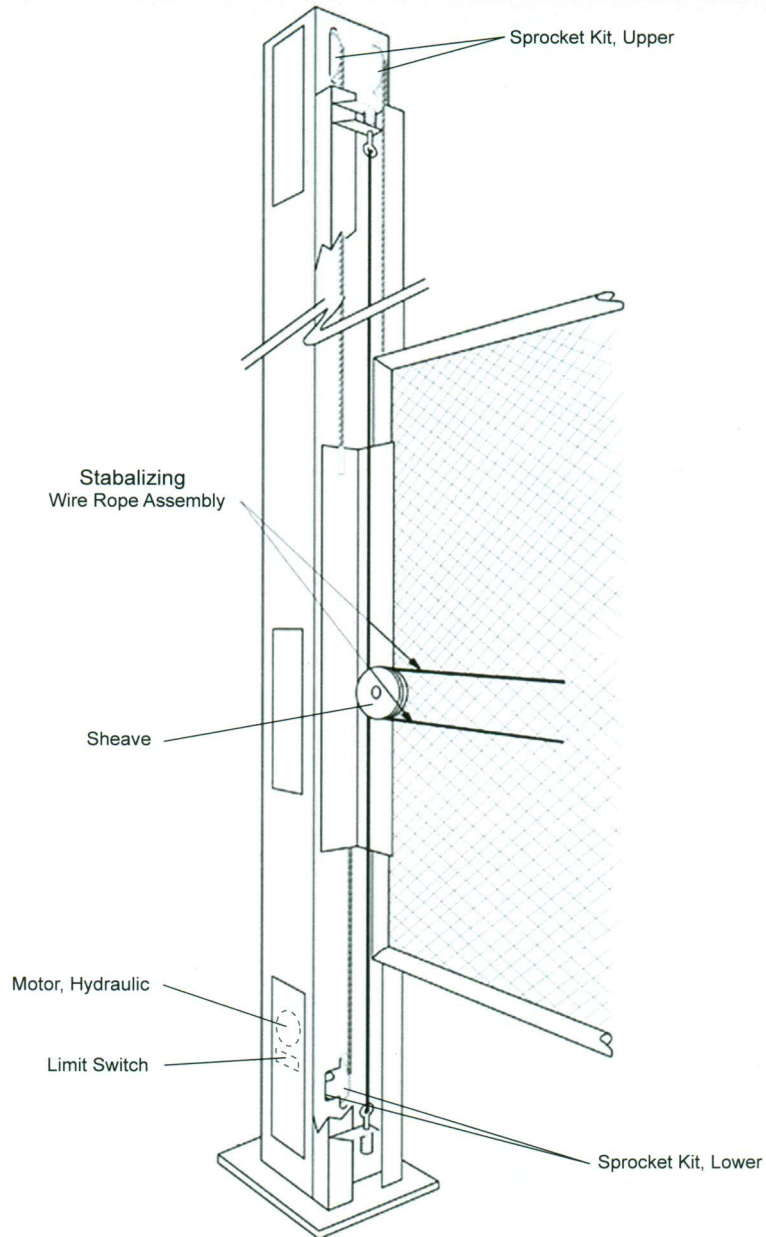




### Post (typical)

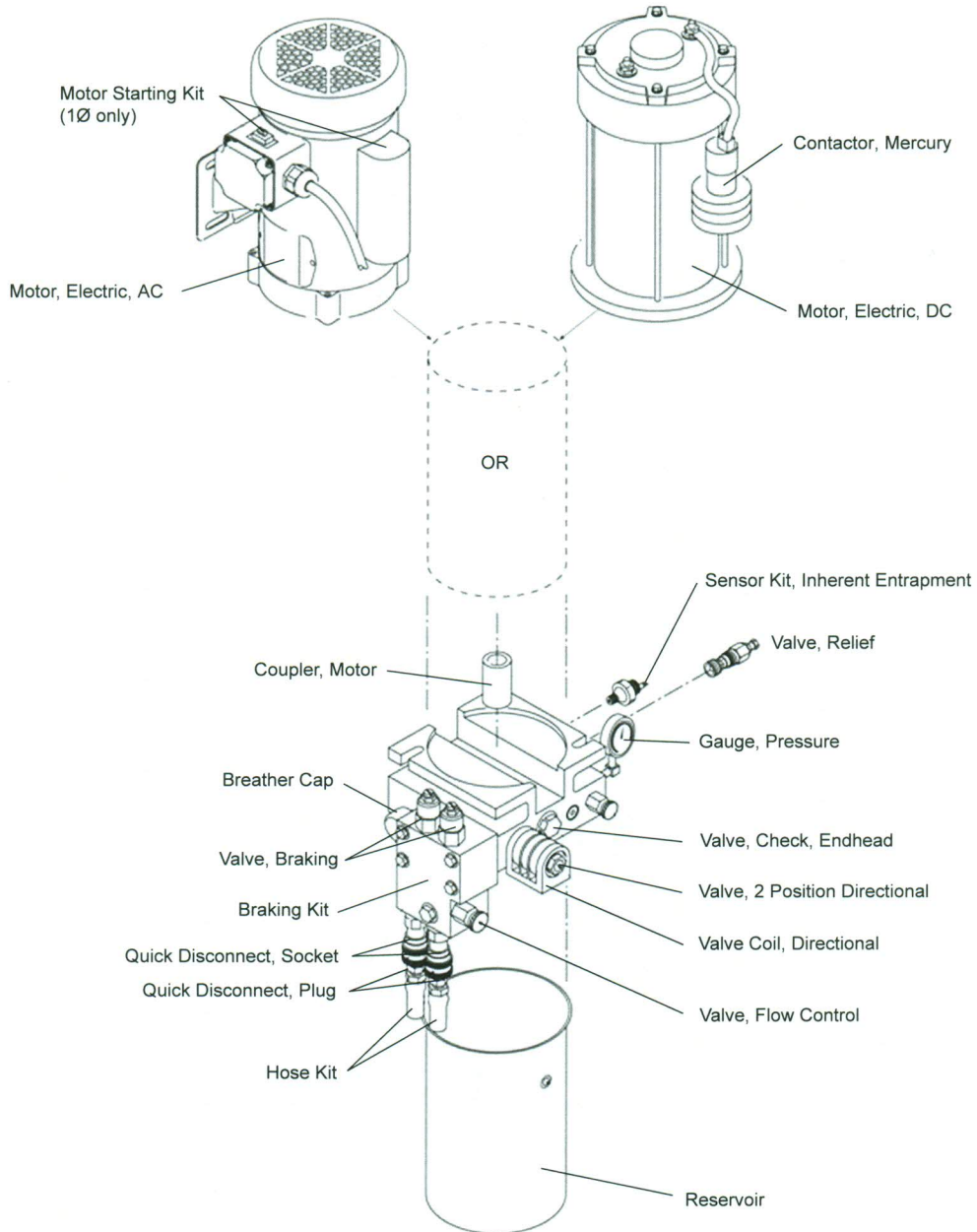


This drawing is a representation and should be used for reference only.

Part Name	Part Number	HydraLift Models (current)
Limit Switch, HydraLift	MX000778	all
Motor, Hydraulic, RS-10", Standard	MX001149	all
Sheave, Cable Pulley, HydraLift	MX000847	all
Sprocket Kit, Lower, HydraLift 10	MX001346	10 (HVG 420)
Sprocket Kit, Lower, HydraLift 10F	MX001350	10F (HVG 420EX)
Sprocket Kit, Lower, HydraLift 20	MX001347	20 (HVG 460)
Sprocket Kit, Lower, HydraLift 20F	MX001351	20F (HVG 460EX)
Sprocket Kit, Upper, HydraLift 10/10F	MX001348	10, 10F (HVG 420, 420EX)
Sprocket Kit, Upper, HydraLift 20/20F	MX001349	20, 20F (HVG 460, 460EX)
Wire Rope Assembly, Stabilization	MX001236	all



### Pump Pack 10, 20 (HVG 420, 460)



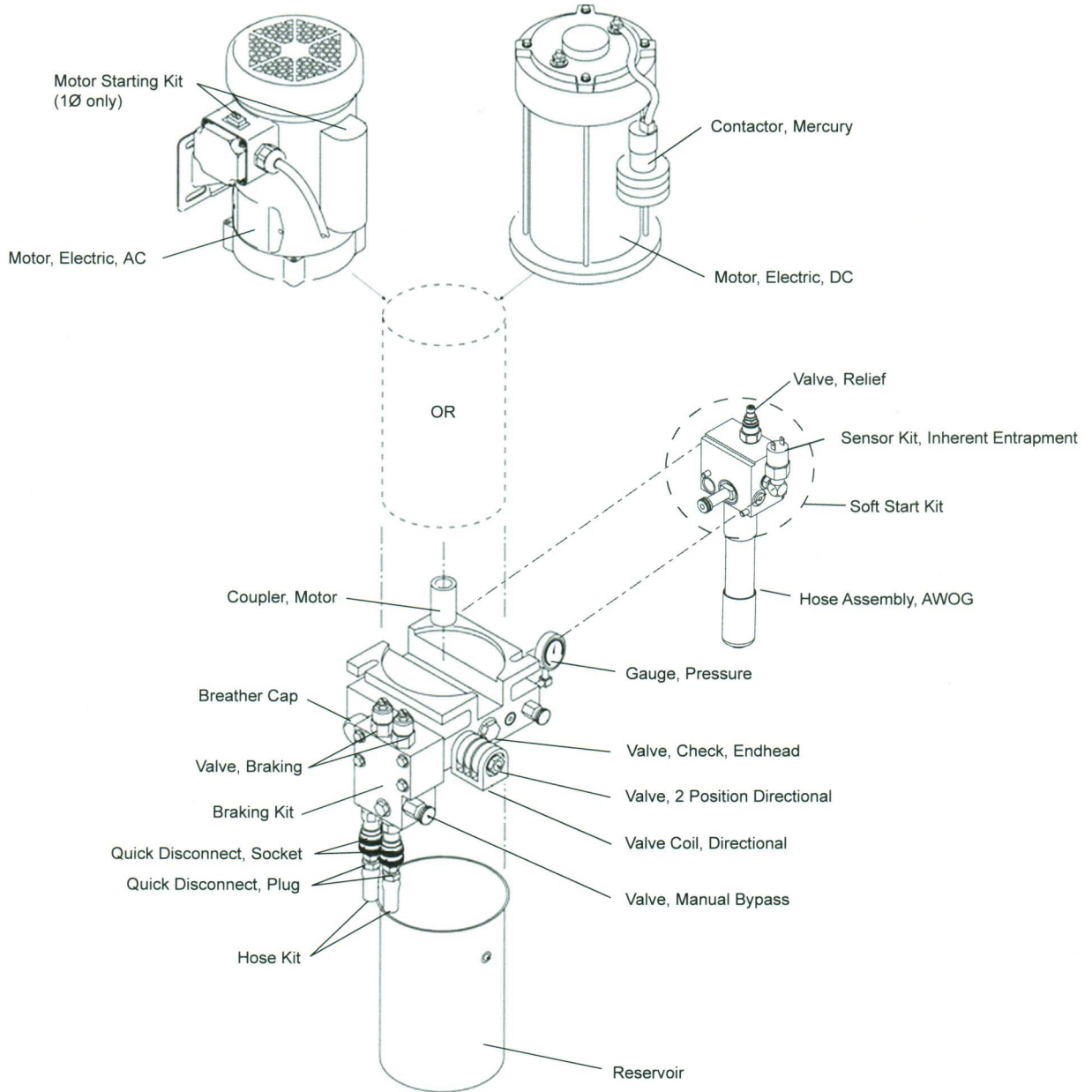


### Pump Pack 10, 20 (HVG 420, 460)

<i>Part Name</i>	<i>Part Number</i>	<i>HydraLift 10, 20 Models (current)</i>
Braking Kit, Manifold, HydraLift	MX001121	all
Breather Cap	MX000686	all
Contactora, Mercury	MX001098	all DC
Coupler, Motor, 5/8" Shaft, 6T	MX002054	all*
Coupler, Motor, 5/8" Shaft, 9T	MX001650	all*
Gauge, Pressure, 3000 PSI, Kit	MX001107	all
Hose Fittings Kit, HydraLift	MX001140	all
Hose, 3/8", HydraLift, SlideDriver M	MX001113	all
Motor Starting Kit, Baldor	MX001308	all AC 60Hz 1Ø with Baldor motor
Motor Starting Kit, Leeson	MX002065	all AC 60Hz 1Ø with Leeson motor
Motor, Electric, 24VDC, 2.0 HP	MX001647	all DC
Motor, Electric, 60Hz, 2.0 HP, 1Ø, 3450 RPM, 208/230VAC	MX001637	10, 20 (HVG 420, 460) 208/230VAC 60Hz 1Ø
Motor, Electric, 60Hz, 2.0 HP, 3Ø, 3450 RPM, 208/230/460VAC	MX001638	10, 20 (HVG 420, 460) 208/230/460VAC 60Hz 3Ø
Pump Pack, HydraLift 10 & 20	MX001971	10, 20 (HVG 420,460) 60Hz and DC
Quick Disconnect, Plug, 1/4"	MX000202	all
Quick Disconnect, Socket, 1/4"	MX000201	all
Reservoir, 4 Qt	MX000161	all
Sensor Kit, Inherent Entrapment	MX000091	all
Valve Coil, Directional, 24VDC	MX000184	all
Valve, 2 Position Directional	MX000172	all
Valve, Braking	MX000657	all
Valve, Check, Endhead Main	MX000171	all
Valve, Flow Control, HydraLift	MX001255	all
Valve, Relief, 3000 PSI	MX000174	all
Call for 50Hz motors and pump packs		
* Use MX002054 for operators manufactured after 6/1/2009, MX001650 for operators with pump packs manufactured before 6/1/2009. See website for Pump Pack Changes Tech Bulletin.		



### Pump Pack 10F, 20F (HVG 420 EX, 460 EX)



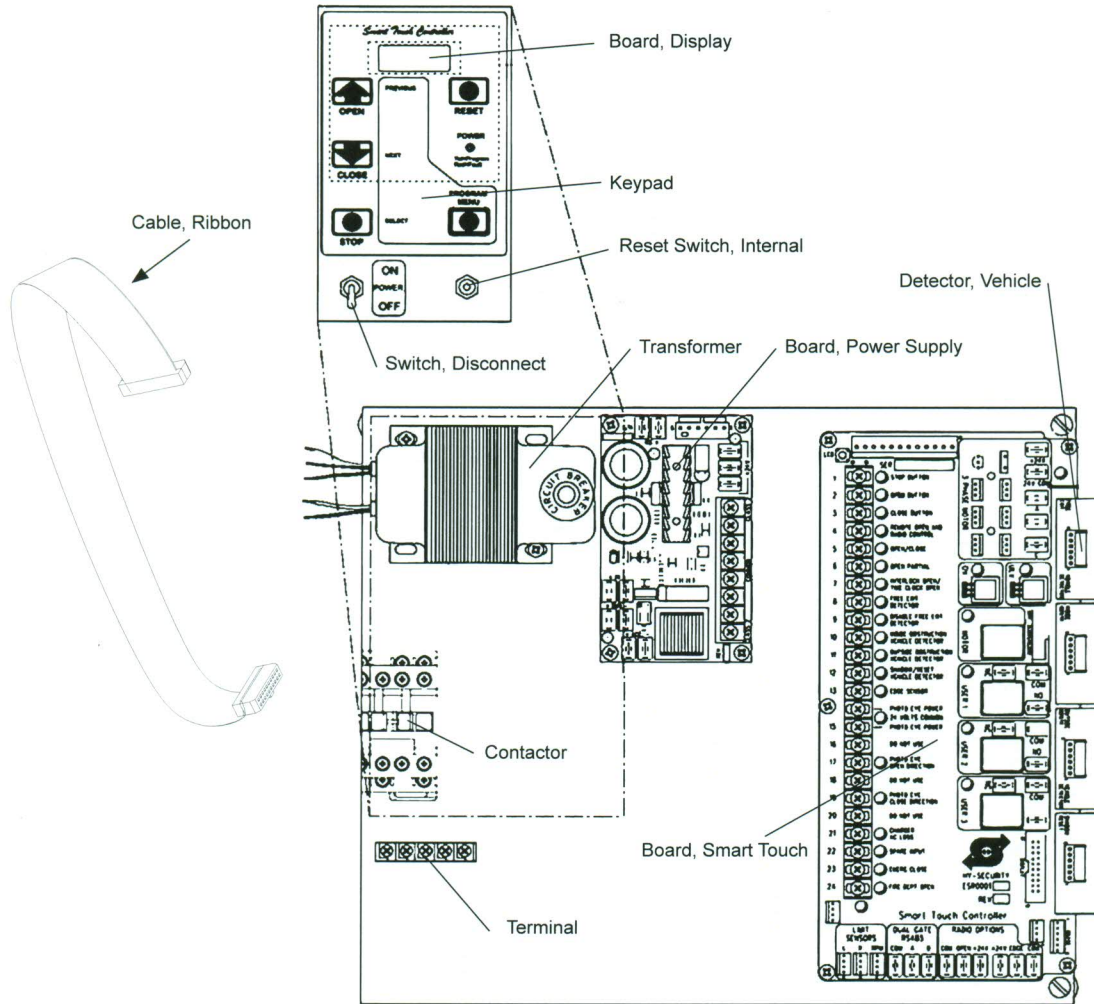


### Pump Pack 10F, 20F (HVG 420 EX, 460 EX)

Part Name	Part Number	HydraLift 10F, 20F Models (current)
Braking Kit, Manifold, HydraLift	MX001121	all
Breather Cap	MX000686	all
Contactora, Mercury	MX001098	all DC
Coupler, Motor, 5/8" Shaft, 6T	MX002054	all*
Coupler, Motor, 5/8" Shaft, 9T	MX001650	all*
Gauge, Pressure, 3000 PSI, Kit	MX001107	all
Hose Assembly, AWOOG, Face Down	MX000618	all
Hose Fittings Kit, HydraLift	MX001140	all
Hose, 3/8", HydraLift, SlideDriver M	MX001113	all
Motor Starting Kit, Baldor	MX001308	all AC 60Hz 1Ø with Baldor motor
Motor, Electric, 24VDC, 4.0 HP	MX001648	all DC
Motor, Electric, 60Hz, 5.0 HP, 1Ø, 3450 RPM, 208/230VAC	MX001725	208/230VAC 60Hz 1Ø
Motor, Electric, 60Hz, 5.0 HP, 3Ø, 3450 RPM, 208/230/460VAC	MX001639	208/230/460VAC 60Hz 3Ø
Pump Pack, HydraLift 10F & 20F	MX001972	10F, 20F (HVG 420EX, 460DX) 60Hz and DC
Quick Disconnect, Plug, 1/4"	MX000202	all
Quick Disconnect, Socket, 1/4"	MX000201	all
Reservoir, 4 Qt	MX000161	all
Sensor Kit, Inherent Entrapment	MX000091	all
Soft Start Kit, Face Down AWOOG	MX001276	all
Valve Coil, Directional, 24VDC	MX000184	all
Valve, 2 Position Directional	MX000172	all
Valve, Braking	MX000657	all
Valve, Check, Endhead Main	MX000171	all
Valve, Manual Bypass, HydraLift	MX001255	all
Valve, Relief, Soft Start Operators, High Pressure	MX000480	all
Call for 50Hz motors and pump packs		
* Use MX002054 for operators manufactured after 6/1/2009, MX001650 for operators with pump packs manufactured before 6/1/2009. See website for Pump Pack Changes Tech Bulletin.		



### Control Box

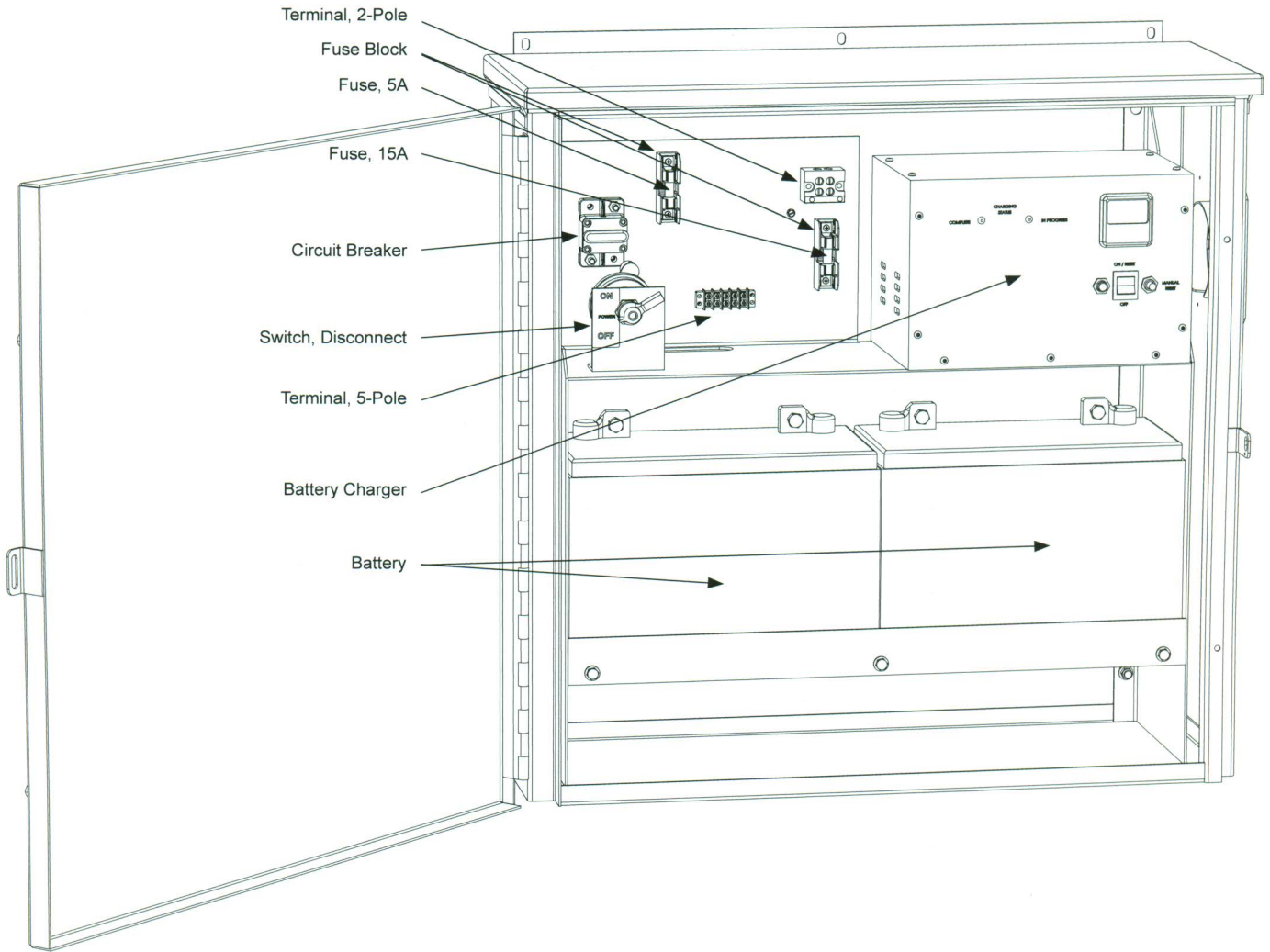


This drawing is a representation and should be used for reference only.

Part Name	Part Number	HydraLift Models (current)
Board, Display	MX000678	all
Board, Power Supply, AC	MX000487	all AC
Board, Power Supply, DC	MX000369	all DC
Board, Smart Touch	MX000585-0	all
Cable, Ribbon, LCD	MX000046	all
Contactor, Motor	MX000485	all AC
Detector, Vehicle, HY-5A	MX000041	all
Keypad, Smart Touch Controller	MX001756	all
Reset Switch, Internal	MX002124	all
Switch, Disconnect	MX000715	all
Terminal, 5-Pole	MX001270	all
Transformer, 24VAC Output, 75VA, 50/60Hz	MX001249	575 VAC and 50 Hz only
Transformer, 24VAC Output, 75VA, 60Hz	MX000486	all 60Hz AC



### DC Power Supply



This drawing is a representation and should be used for reference only.

Part Name	Part Number	StrongArm UPS Models (current)
Battery Charger, 60Hz, 115VAC	MX001719	115VAC, 60Hz input
Battery Charger, 60Hz, 208VAC	MX001720	208VAC, 60Hz input
Battery Charger, 60Hz, 230VAC	MX001721	230VAC, 60Hz input
Battery, 12V, 110AH, AGM	MX000877	all
Circuit Breaker, 120A DC	MX000843	10 UPS, 20 UPS (HVG 420 DC, HVG 460 DC)
Circuit Breaker, 150A DC	MX001096	10F UPS, 20F UPS (HVG 420DX, 460DX)
Fuse Block	MX000863	all
Fuse, 15 Amp	MX000865	all
Fuse, 5 Amp	MX000864	all
Switch, Disconnect, DC Power Supply	MX000844	all
Terminal, 2-Pole	MX000859	all
Terminal, 5-Pole	MX001270	all
Call for 50Hz battery chargers		