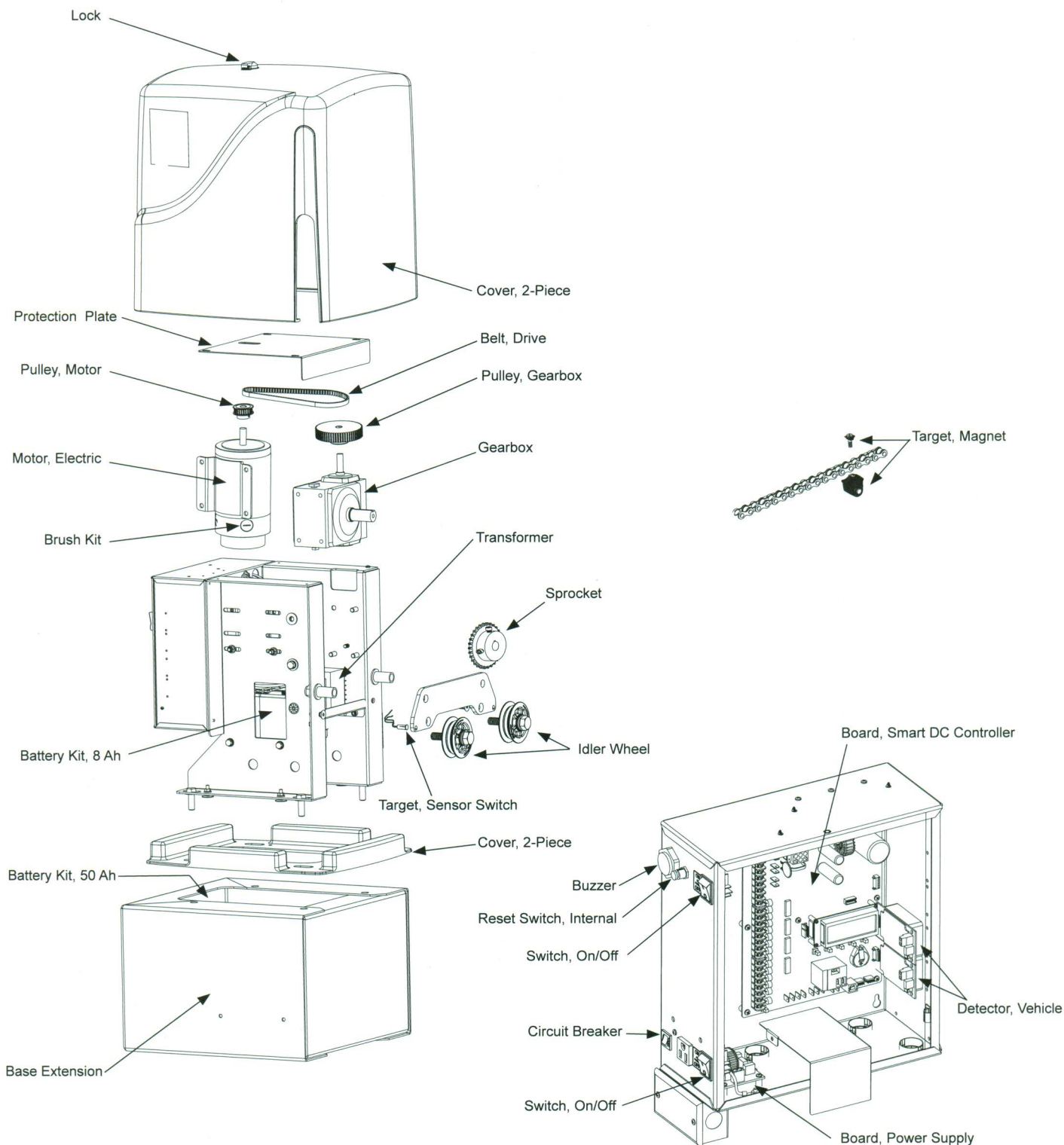




Chassis, Mechanical & Electrical





Chassis, Mechanical & Electrical

<i>Part Name</i>	<i>Part Number</i>	<i>SlideSmart Models</i>
Base Extension	MX002094	all
Battery Kit, 50AH, Replacement	MX002013	all
Battery Kit, 8AH, Replacement	MX002008	all
Belt, Drive, SlideSmart DC 10F	MX002107	SlideSmart 10F
Belt, Drive, SlideSmart DC 15	MX002106	SlideSmart 15
Board, Power Supply, 115/230VAC	MX001766	AC only
Board, Smart DC Controller	MX003037-0	all
Brush Kit, 24VDC Motor	MX001920	all
Buzzer, Piezo	MX001036	all
Circuit Breaker, 15 Amp	MX001760	Solar only
Circuit Breaker, 3 Amp	MX001762	AC only
Cover, 2-Piece, SlideSmart	MX002115	all
Detector, Vehicle, HY-5A	MX000041	all
Gearbox, SlideSmart	MX002210	all
Idler Wheel, #40 Roller Chain Guide	MX002181	all
Lock, Cylinder, w/key, SlideSmart	MX002089	all
Motor, Electric, 24VDC, SlideSmart	MX001995	all
Protection Plate	MX002075	all
Pulley, Gearbox, 36T	MX001404	all SlideSmart 10F models
Pulley, Gearbox, 60T	MX002076	all SlideSmart 15 models
Pulley, Motor	MX001403	all
Reset Switch, Internal	MX002124	all
Sprocket, #40 Roller Chain	MX002211	all
Switch, On/Off	MX001761	all
Target, Magnet, SlideSmart	MX002087	all
Target, Sensor Switch, SlideSmart	MX002085	all
Transformer, 115/230VAC	MX002798	AC only