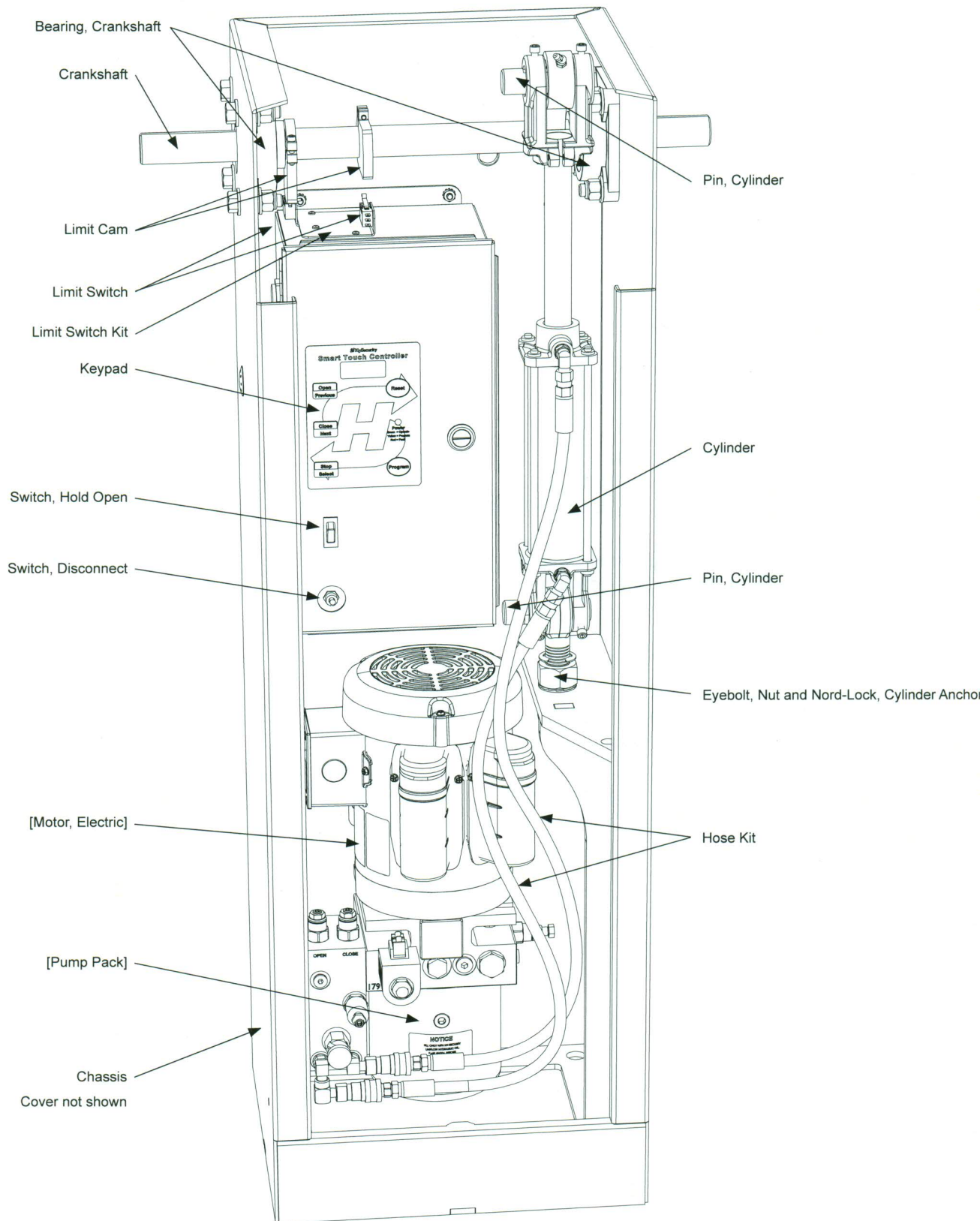




Part Diagrams

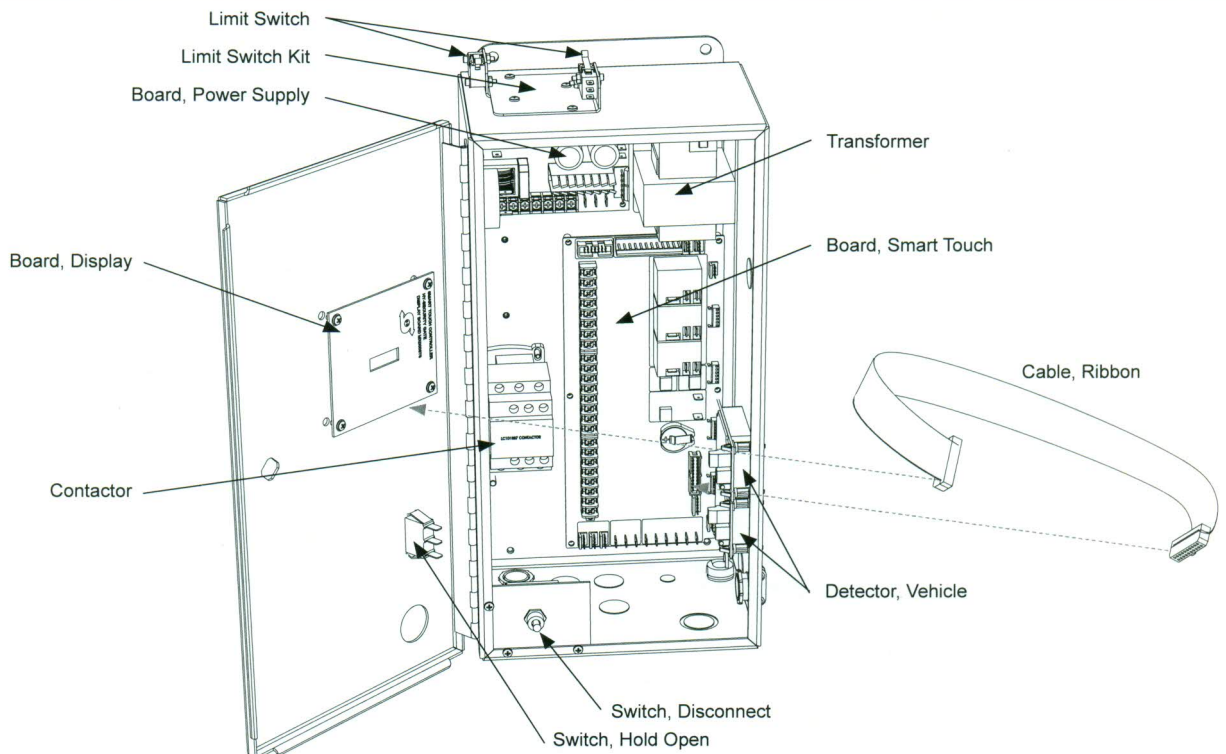
Chassis, Drive and Electrical





Chassis, Drive and Electrical

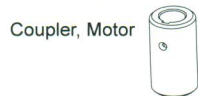
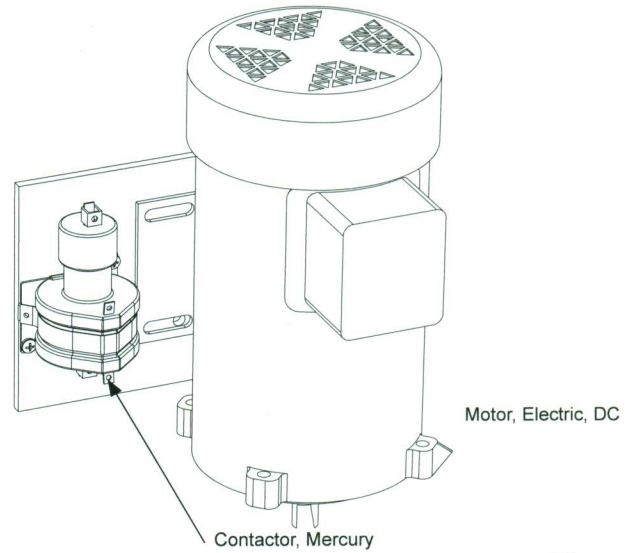
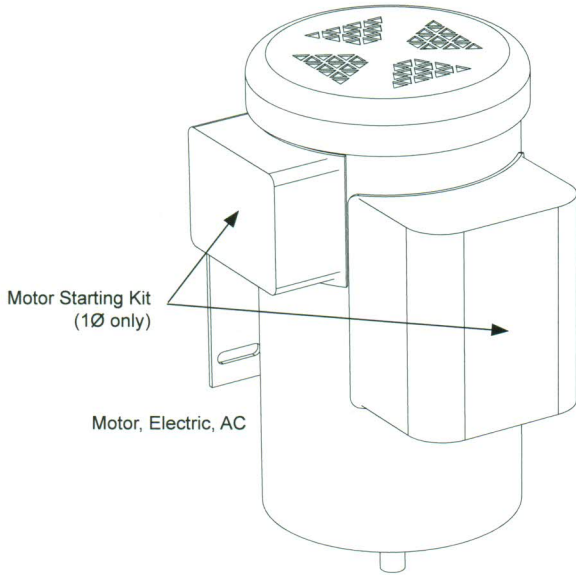
Part Name	Part Number	StrongArm Models (current)
Bearing, Crankshaft, 4 Bolt, 1.25" Shaft	MX000306	all
Board, Display	MX000678	all
Board, Power Supply, AC	MX000487	all AC
Board, Power Supply, DC	MX000369	all DC
Board, Smart Touch	MX000585-0	all
Cable, Ribbon, LCD	MX000046	all
Chassis, Replacement, StrongArm	MX000497	all
Contactora, Motor	MX000485	all AC
Cover, Replacement, StrongArm	MX000457	all
Crankshaft, Crank Bearing & Zerk	MX001100	all
Cylinder Kit, StrongArm	MX000077	all
Detector, Vehicle, HY-5A	MX000041	all
Eyebolt, Nut and Nord-Lock, Cylinder Anchor	MX002467	all
Hose Kit, 2 Hoses, StrongArm	MX001386	all
Keypad, Smart Touch Controller	MX001756	all
Limit Cam	MX000299	all
Limit Switch Kit, StrongArm	MX001872	all
Limit Switch, StrongArm	MX001777	all
Pin, Cylinder, Stainless Steel, StrongArm	MX000312	all
Switch, Disconnect	MX000715	all
Switch, Hold Open	MX001240	all
Transformer, 24VAC Output, 75VA, 50/60Hz	MX001249	575VAC and 50Hz only
Transformer, 24VAC Output, 75VA, 60Hz	MX000486	all 60Hz AC except 575VAC





Part Diagrams

Pump Pack

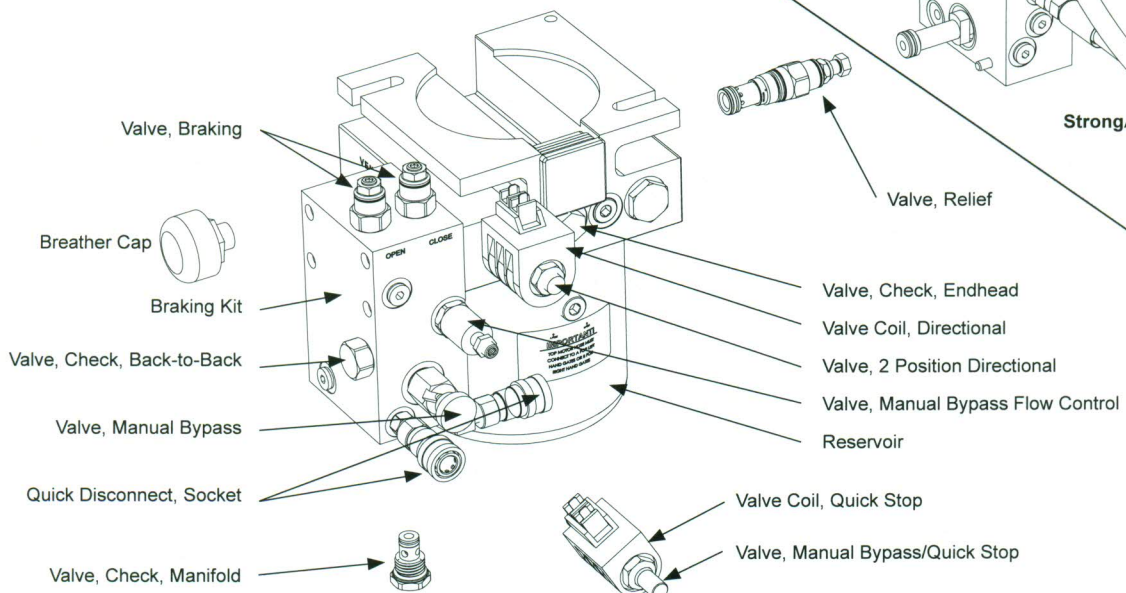


Hose Assembly, AWOG

Valve, Relief

Soft Start Kit

StrongArm 36 only





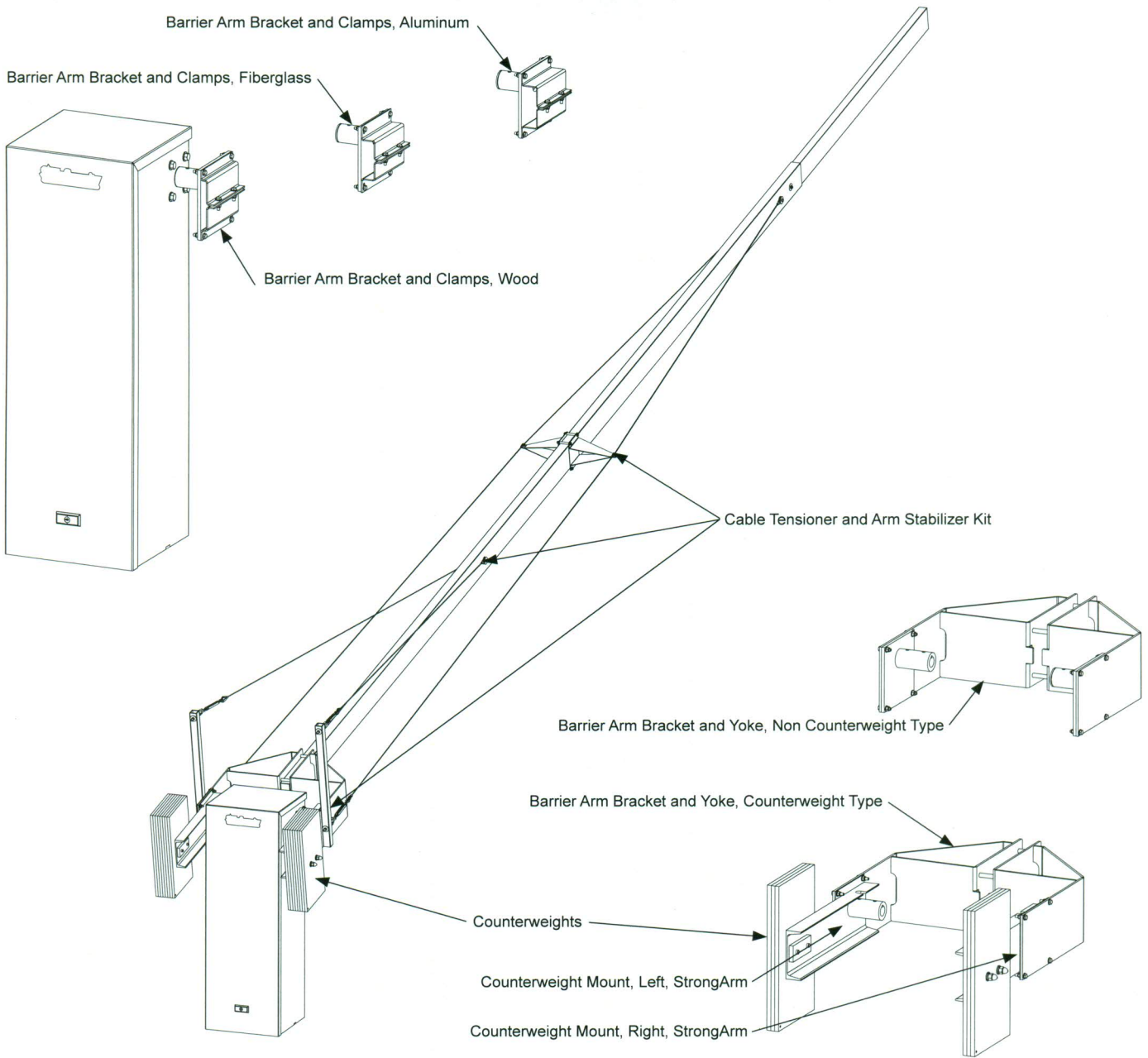
Pump Pack

Part Name	Part Number	StrongArm Models (current)
Braking Kit, Manifold, StrongArm 14F, 20, 28	MX000146	all except 36 (HTG 320-8)
Braking Kit, Manifold, StrongArm 36	MX000235	36 (HTG 320-8)
Breather Cap	MX000686	all
Contactors, Mercury	MX001098	all DC
Coupler, Motor, 5/8" Shaft, 6T	MX002054	all*
Coupler, Motor, 5/8" Shaft, 9T	MX001650	all*
Hose Assembly, AWOG, Face Down	MX000618	36 (HTG 320-8)
Motor Starting Kit, Baldor	MX001308	all AC 60Hz 1Ø with Baldor motor
Motor Starting Kit, Leeson	MX002065	all AC 60Hz 1Ø with Leeson motor
Motor, Electric, 24VDC, 0.75 HP	MX001646	all DC
Motor, Electric, 60Hz, 0.75 HP, 1Ø, 3450 RPM, 115/208/230VAC	MX001910	all 115/208/230VAC 60Hz 1Ø
Motor, Electric, 60Hz, 0.75 HP, 3Ø, 3450 RPM, 208/230/460VAC	MX001634	all 208/230/460VAC 60Hz 3Ø
Pump Pack, StrongArm 14F	MX001951	14F (HTG 320-2), 60Hz
Pump Pack, StrongArm 20	MX001952	20 (HTG 320-3), 60Hz
Pump Pack, StrongArm 28	MX001953	28 (HTG 320-6), 60Hz
Pump Pack, StrongArm 36	MX001954	36 (HTG 320-8), 60Hz
Quick Disconnect, Socket, 1/8"	MX000169	all
Reservoir, 2 Qt	MX000162	all
Soft Start Kit, Face Down AWOG, StrongArm 36	MX002014	36 (HTG 320-8)
Valve Coil, Directional, 24VDC	MX000184	all
Valve Coil, Quick Stop, 24VDC	MX000185	36 (HTG 320-8)
Valve, 2 Position Directional	MX000172	all
Valve, Braking, StrongArm	MX000234	all
Valve, Check, Back to Back, StrongArm	MX000233	all
Valve, Check, Endhead Main	MX000171	all
Valve, Check, Manifold, StrongArm	MX000229	all
Valve, Manual Bypass	MX000230	all except 36 (HTG 320-8)
Valve, Manual Bypass Flow Control, 3500 PSI	MX000231	all
Valve, Manual Bypass/Quick Stop, StrongArm 36	MX000222	36 (HTG 320-8)
Valve, Relief, 1500 PSI	MX000658	all except 36 (HTG 320-8)
Valve, Relief, Soft Start Operators	MX000659	36 (HTG 320-8)
Call for 50Hz motors and pump packs		
* Use MX002054 for operators manufactured after 6/1/2009, MX001650 for operators with pump packs manufactured before 6/1/2009. See website for Pump Pack Changes Tech Bulletin.		



Part Diagrams

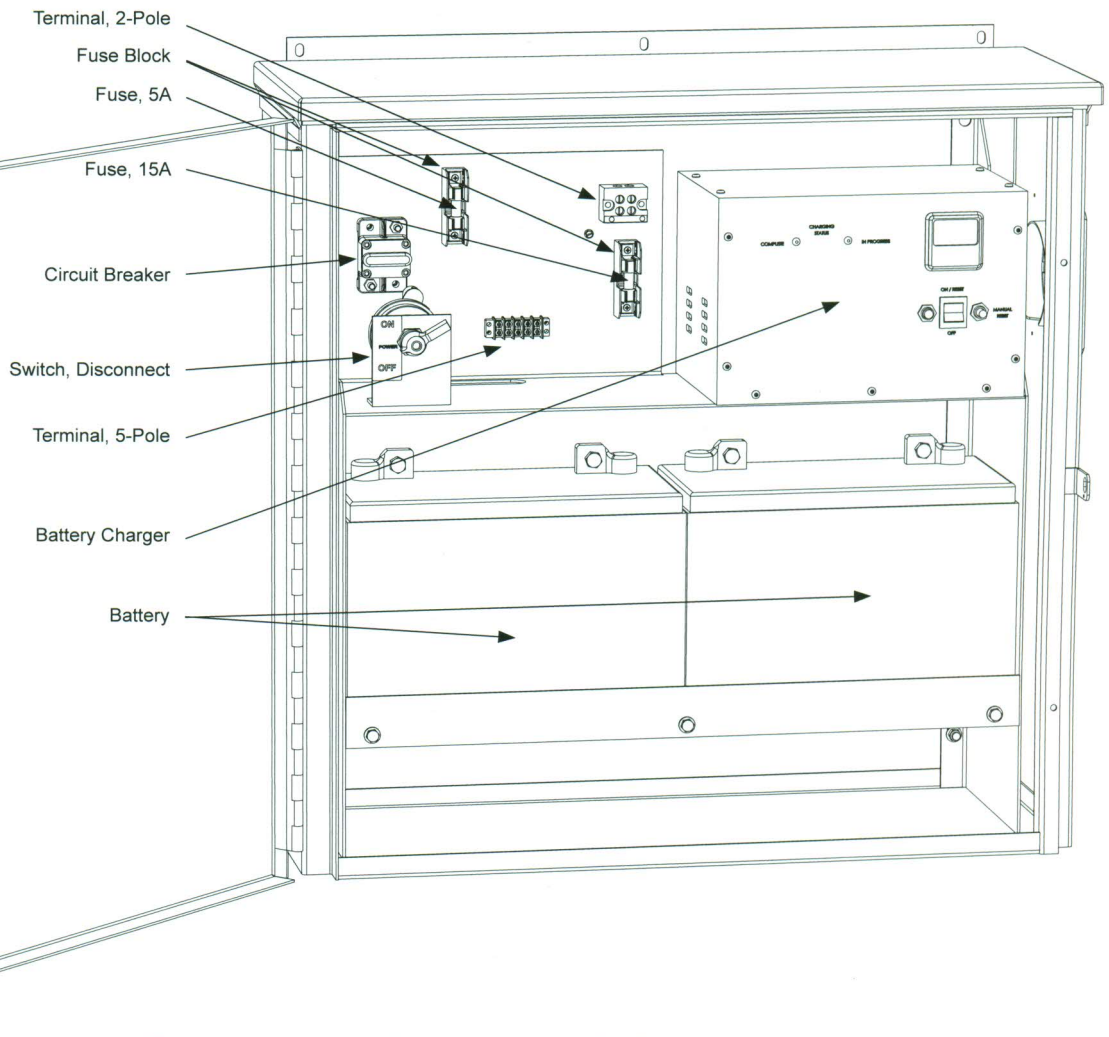
Arm Hardware



Part Name	Part Number	StrongArm Models (current)
Barrier Arm Bracket and Clamps, Aluminum	MX001090	all side mounted aluminum arms
Barrier Arm Bracket and Clamps, Fiberglass	MX001043	all side mounted fiberglass arms
Barrier Arm Bracket and Clamps, Wood	MX001044	all side mounted wood arms
Barrier Arm Bracket and Yoke, Counterweight Type	MX001046	all arms 20' and longer
Barrier Arm Bracket and Yoke, Non Counterweight Type	MX001047	all yoke mounted arms shorter than 20'
Cable Tensioner and Arm Stabilizer Kit	MX001237	all arms 30' and longer
Counterweight Mount, Left, StrongArm	MX000641	all arms 20' and longer
Counterweight Mount, Right, StrongArm	MX000642	all arms 20' and longer
Counterweights, Barrier Arm	MX000566	all arms 20' and longer, see Arm Option for weight requirements



DC Power Supply



This drawing is a representation and should be used for reference only.

Part Name	Part Number	StrongArm UPS Models (current)
Battery Charger, 60Hz, 115VAC	MX001719	115VAC, 60Hz input
Battery Charger, 60Hz, 208VAC	MX001720	208VAC, 60Hz input
Battery Charger, 60Hz, 230VAC	MX001721	230VAC, 60Hz input
Battery, 12V, 110AH, AGM	MX000877	all
Circuit Breaker, 60A DC	MX000842	all
Fuse Block	MX000863	all
Fuse, 15 Amp	MX000865	all
Fuse, 5 Amp	MX000864	all
Switch, Disconnect, DC Power Supply	MX000844	all
Terminal, 2-Pole	MX000859	all
Terminal, 5-Pole	MX001270	all

Call for 50Hz battery chargers