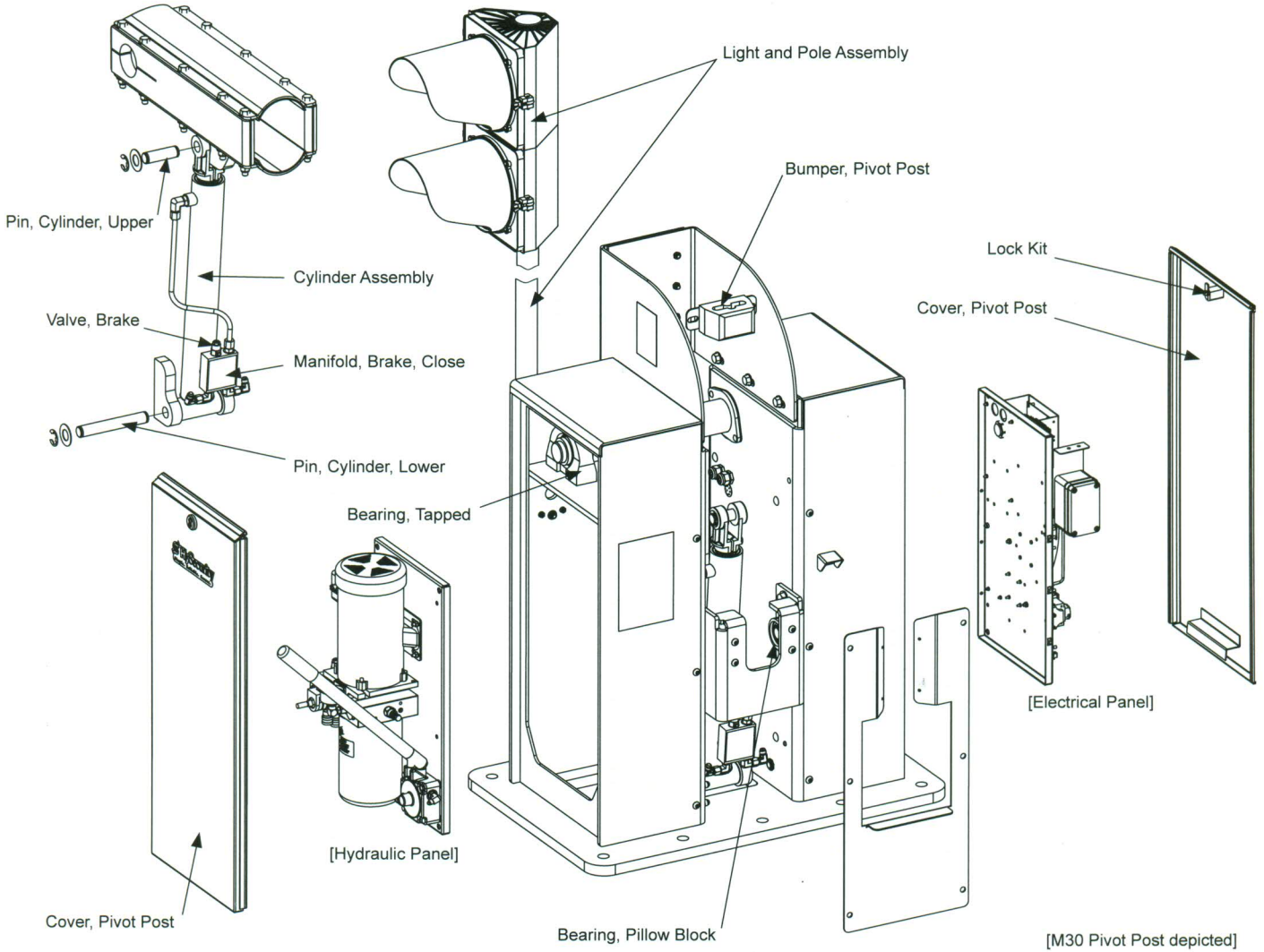




Part Diagrams

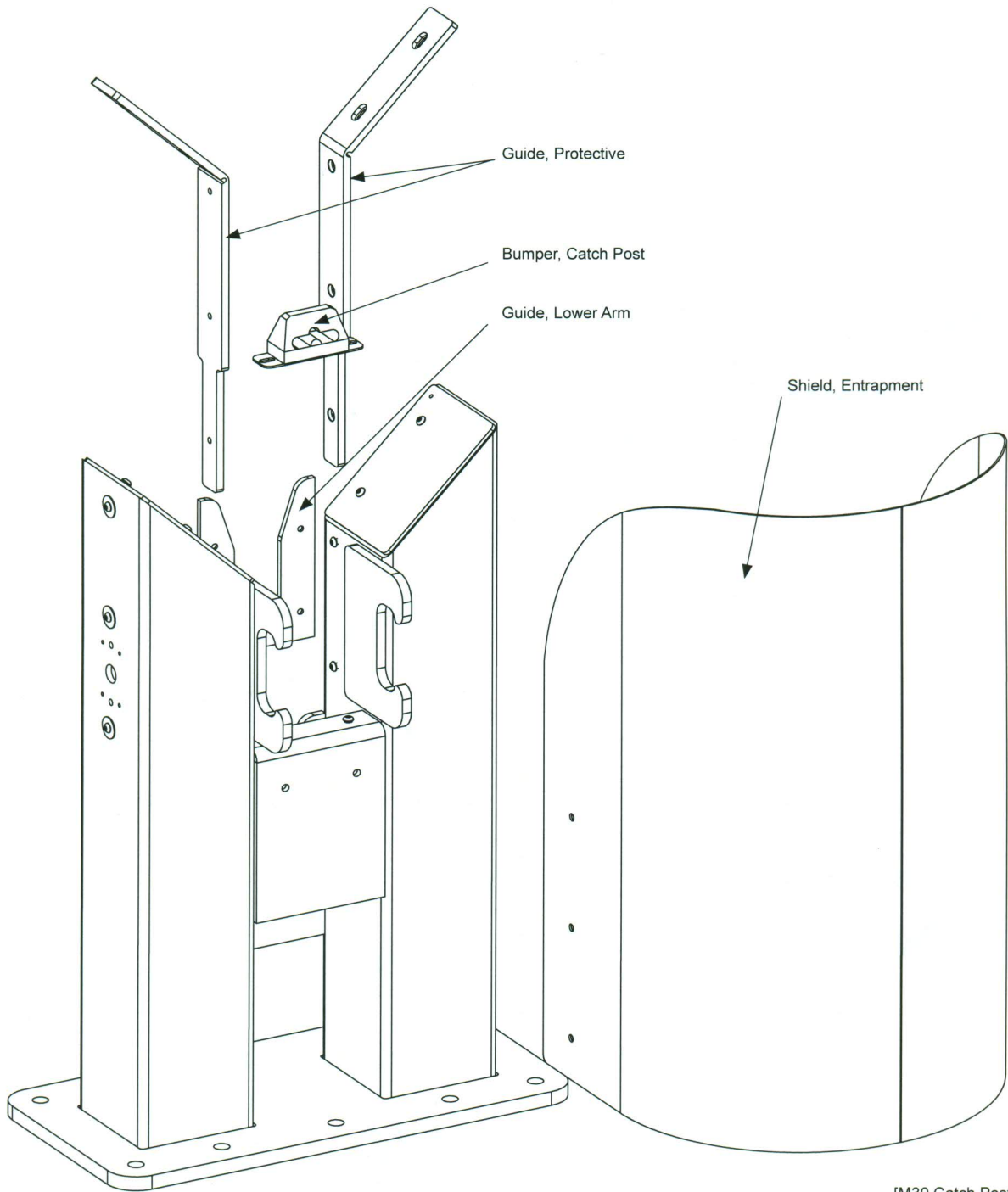
Pivot Post



Part Name	Part Number	StrongArm Crash Models (current)
Bearing, Pillow Block, 1"	MX000771	all
Bearing, Tapped, 1.9375"	MX002647	all
Bumper, Pivot Post	MX002295	all
Cover, Pivot Post, Replacement Kit, Galvanized	MX002726	all
Cover, Pivot Post, Replacement Kit, Yellow	MX002609	all
Cylinder Assembly	MX002605	all
Light and Pole Assembly, Traffic, Yellow Pole	MX002608	all
Light and Pole Assembly, Traffic, Galvanized Pole	MX002849	all
Lock Kit, Interchanegable Core, Pivot Post Cover	MX002301	all
Manifold, Brake, Close	MX002837	all
Pin, Cylinder, Lower	MX002382	all
Pin, Cylinder, Upper	MX002381	all
Valve, Braking	MX000657	all



Catch Post



[M30 Catch Post depicted]

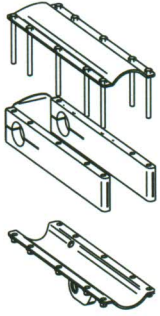
Part Name	Part Number	StrongArm Crash Models (current)
Bumper, Catch Post	MX002708	all
Guide, Lower Arm, Catch Post	MX002851	all
Guide, Protective, Catch Post	MX002850	all
Shield, Entrapment, Catch Post	MX002834	all



Part Diagrams

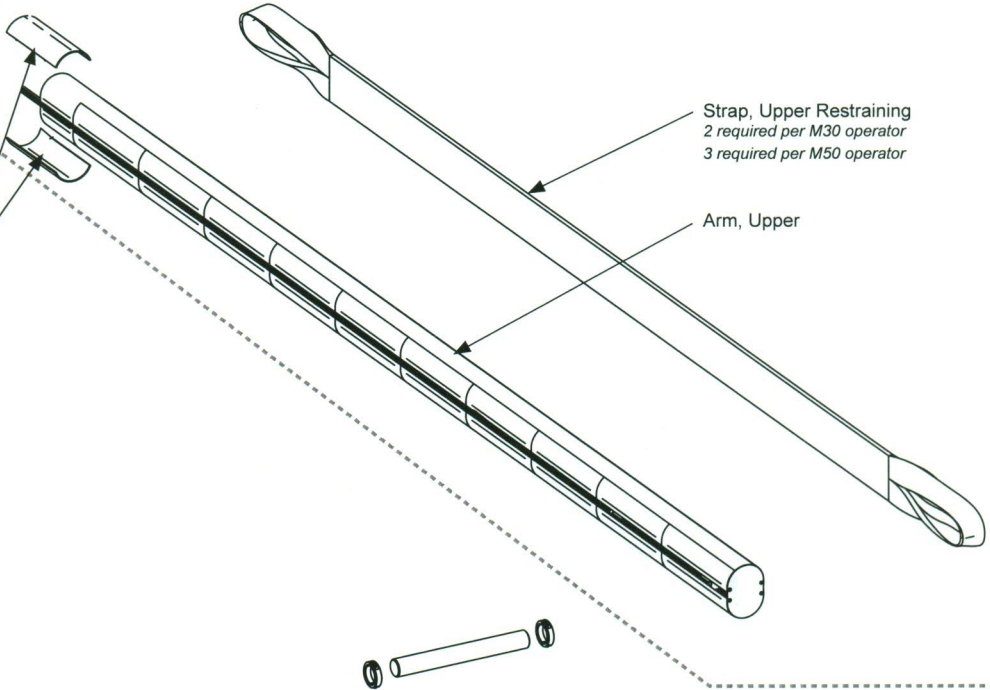
Arms & Hardware

Arm, Upper, Replacement Assembly

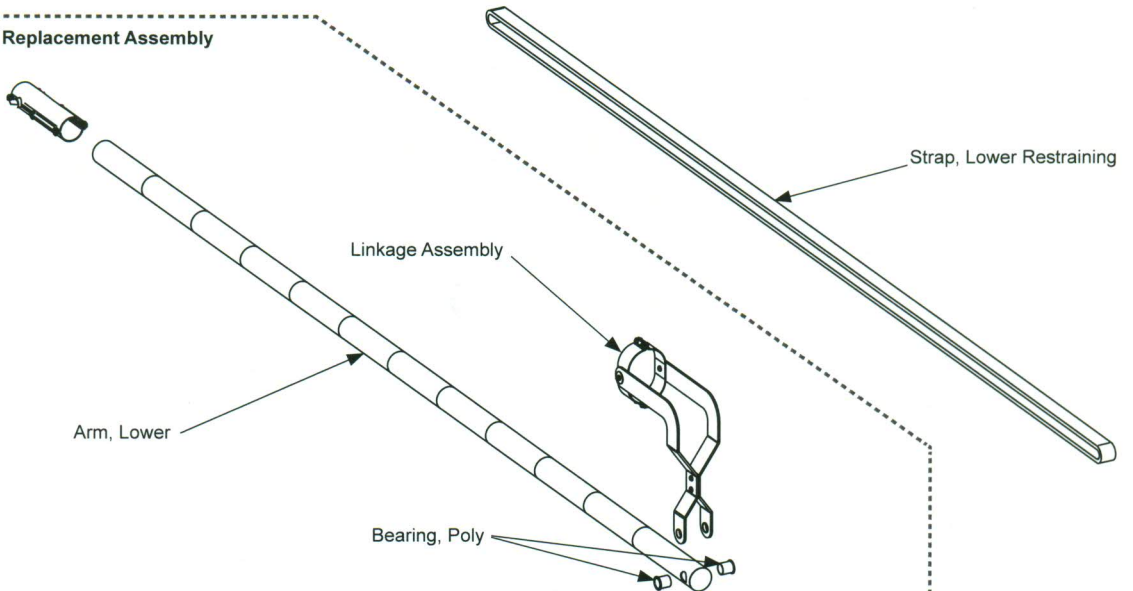


Pad, Rubber

Arm, Upper, Intermediate Replacement Assembly



Arm, Lower, Replacement Assembly





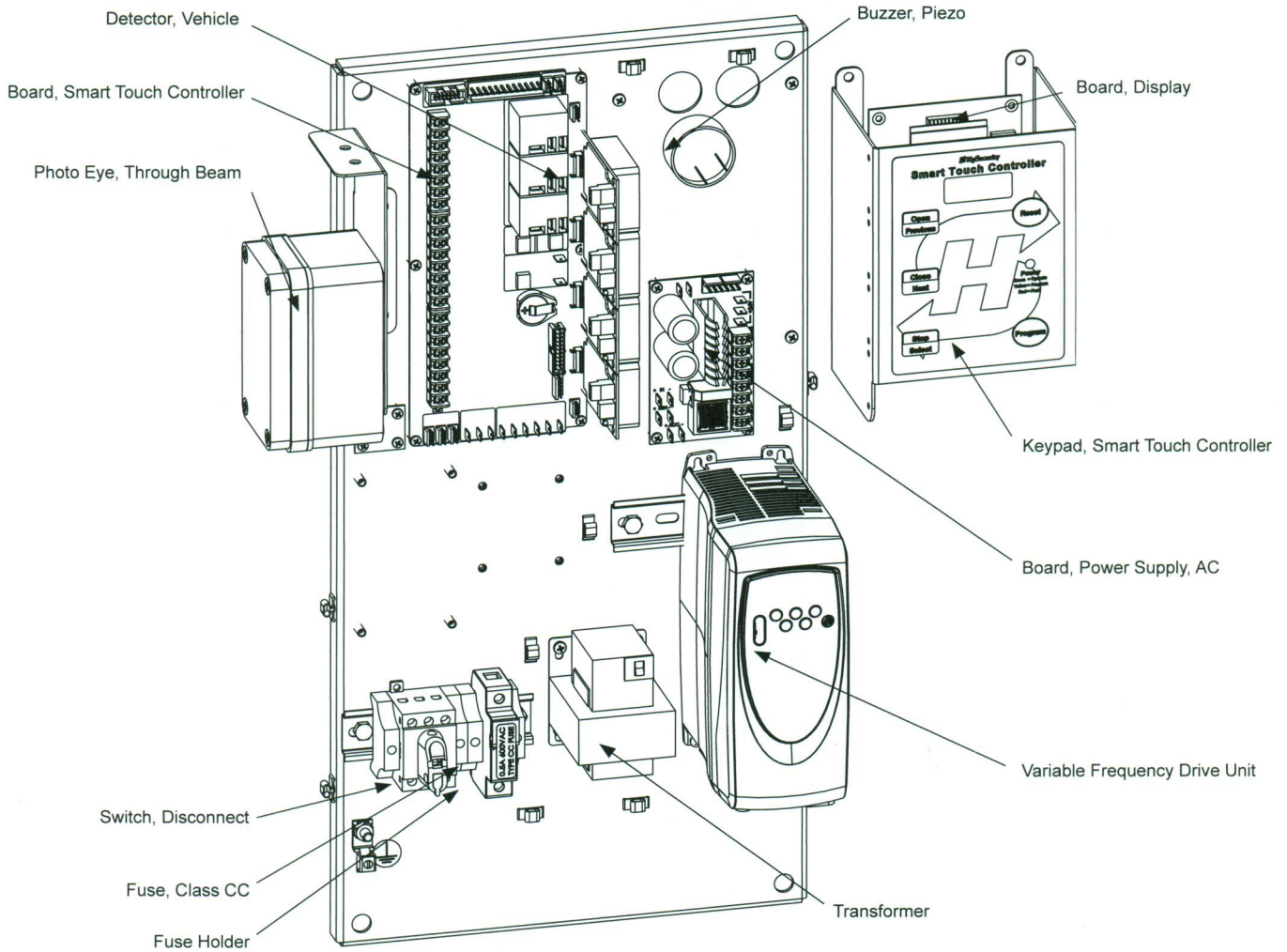
Arms & Hardware

Part Name	Part Number	StrongArm Crash Models (current)
Arm, Lower, Replacement Assembly, 12'	MX2397-12	all
Arm, Lower, Replacement Assembly, 14'	MX2397-14	all
Arm, Lower, Replacement Assembly, 16'	MX2397-16	all
Arm, Lower, Replacement Assembly, 18'	MX2397-18	all
Arm, Lower, Replacement Assembly, 20'	MX2397-20	all
Arm, Lower, Replacement Assembly, 22'	MX2397-22	all
Arm, Lower, Replacement Assembly, 24'	MX2397-24	all
Arm, Upper, Replacement Assembly, 12'	MX2603-12	all
Arm, Upper, Replacement Assembly, 14'	MX2603-14	all
Arm, Upper, Replacement Assembly, 16'	MX2603-16	all
Arm, Upper, Replacement Assembly, 18'	MX2603-18	all
Arm, Upper, Replacement Assembly, 20'	MX2603-20	all
Arm, Upper, Replacement Assembly, 22'	MX2603-22	all
Arm, Upper, Replacement Assembly, 24'	MX2603-24	all
Arm, Upper, Replacement, 12'	MX2388-12	all
Arm, Upper, Replacement, 14'	MX2388-14	all
Arm, Upper, Replacement, 16'	MX2388-16	all
Arm, Upper, Replacement, 18'	MX2388-18	all
Arm, Upper, Replacement, 20'	MX2388-20	all
Arm, Upper, Replacement, 22'	MX2388-22	all
Arm, Upper, Replacement, 24'	MX2388-24	all
Bearing, Poly, 1.25" ID x 1.5"	MX002588	all
Linkage Assembly, Lower Arm	MX002723	all
Pad, Rubber, 6" x 12"	MX002634	all
Strap, Lower Restraining, 12'	MX2387-12	all
Strap, Lower Restraining, 14'	MX2387-14	all
Strap, Lower Restraining, 16'	MX2387-16	all
Strap, Lower Restraining, 18'	MX2387-18	all
Strap, Lower Restraining, 20'	MX2387-20	all
Strap, Lower Restraining, 22'	MX2387-22	all
Strap, Lower Restraining, 24'	MX2387-24	all
Strap, Upper Restraining, 12'	MX2228-12	all
Strap, Upper Restraining, 14'	MX2228-14	all
Strap, Upper Restraining, 16'	MX2228-16	all
Strap, Upper Restraining, 18'	MX2228-18	all
Strap, Upper Restraining, 20'	MX2228-20	all
Strap, Upper Restraining, 22'	MX2228-22	all
Strap, Upper Restraining, 24'	MX2228-24	all



Part Diagrams

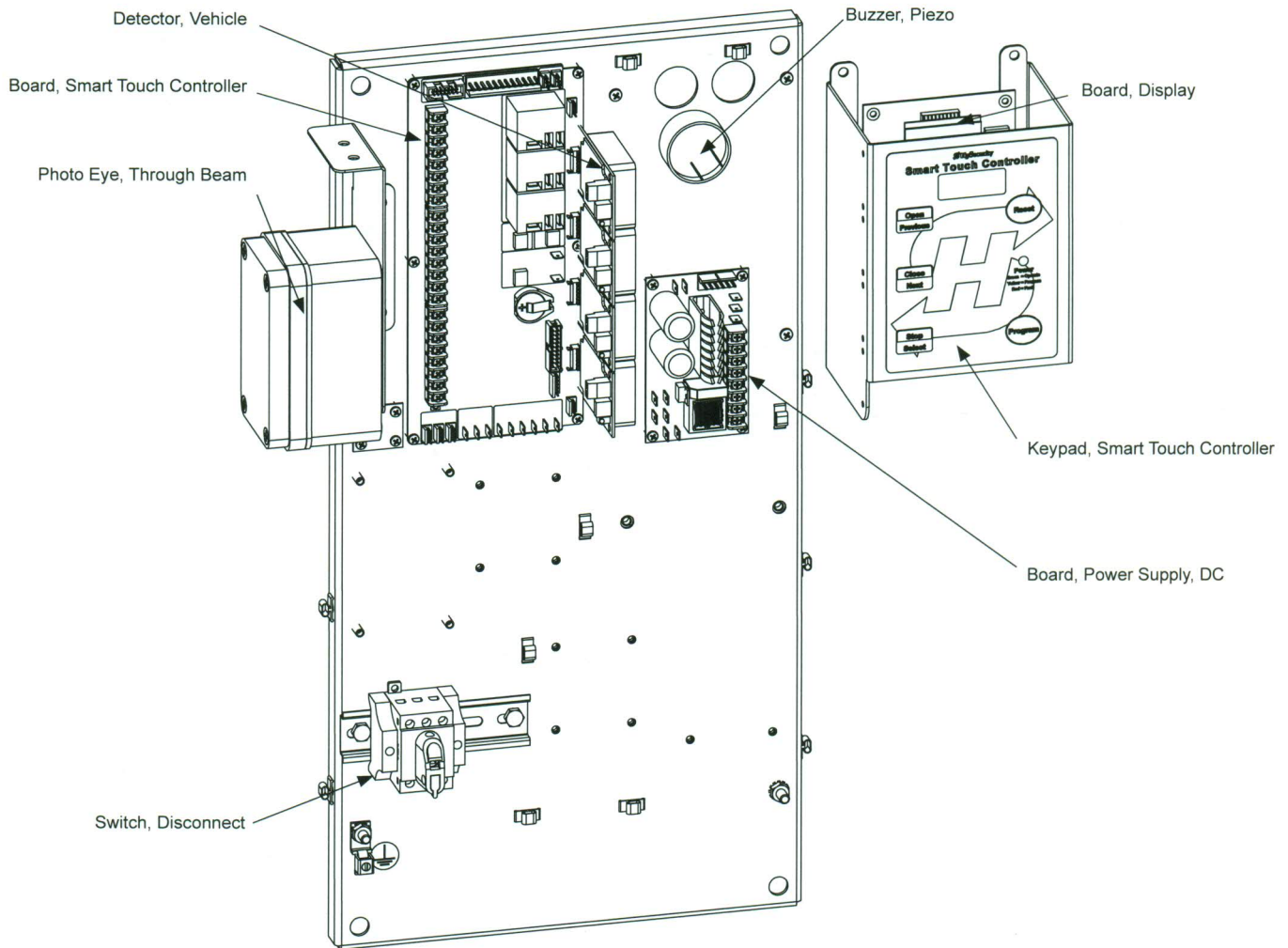
AC Electrical Panel



Part Name	Part Number	StrongArm Crash Models (current)
Board, Display	MX000678	all
Board, Power Supply, AC	MX000487	all AC models
Board, Smart Touch Controller	MX000585-0	all
Buzzer, Piezo	MX001036	all
Cable Harness, MODBUS	MX002413	all AC models
Detector, Vehicle, HY-5A	MX000041	all
Fuse Holder, Class CC	MX002670	all AC models
Fuse, Class CC, .5 amp	MX002672	all AC models
Keypad, Smart Touch Controller	MX001756	all
Photo Eye, Through Beam, 30' Range, Wireless, 24VDC	MX002552	all
Photo Eye, Through Beam, 55' Range, Wired, 24VDC	MX000846	all
Switch, Disconnect, AC	MX002835	all AC models
Transformer, 24VAC Output, 75VA, 60Hz	MX000486	all AC models
Variable Frequency Drive Unit (VFD), MODBUS, 208-230VAC, 50/60Hz, 1Ø/3Ø	MX002733	all 208,220,230VAC 50/60Hz input
Variable Frequency Drive Unit (VFD), MODBUS, 380-460VAC, 50/60Hz, 3Ø	MX002734	all 380,460VAC 50/60Hz input



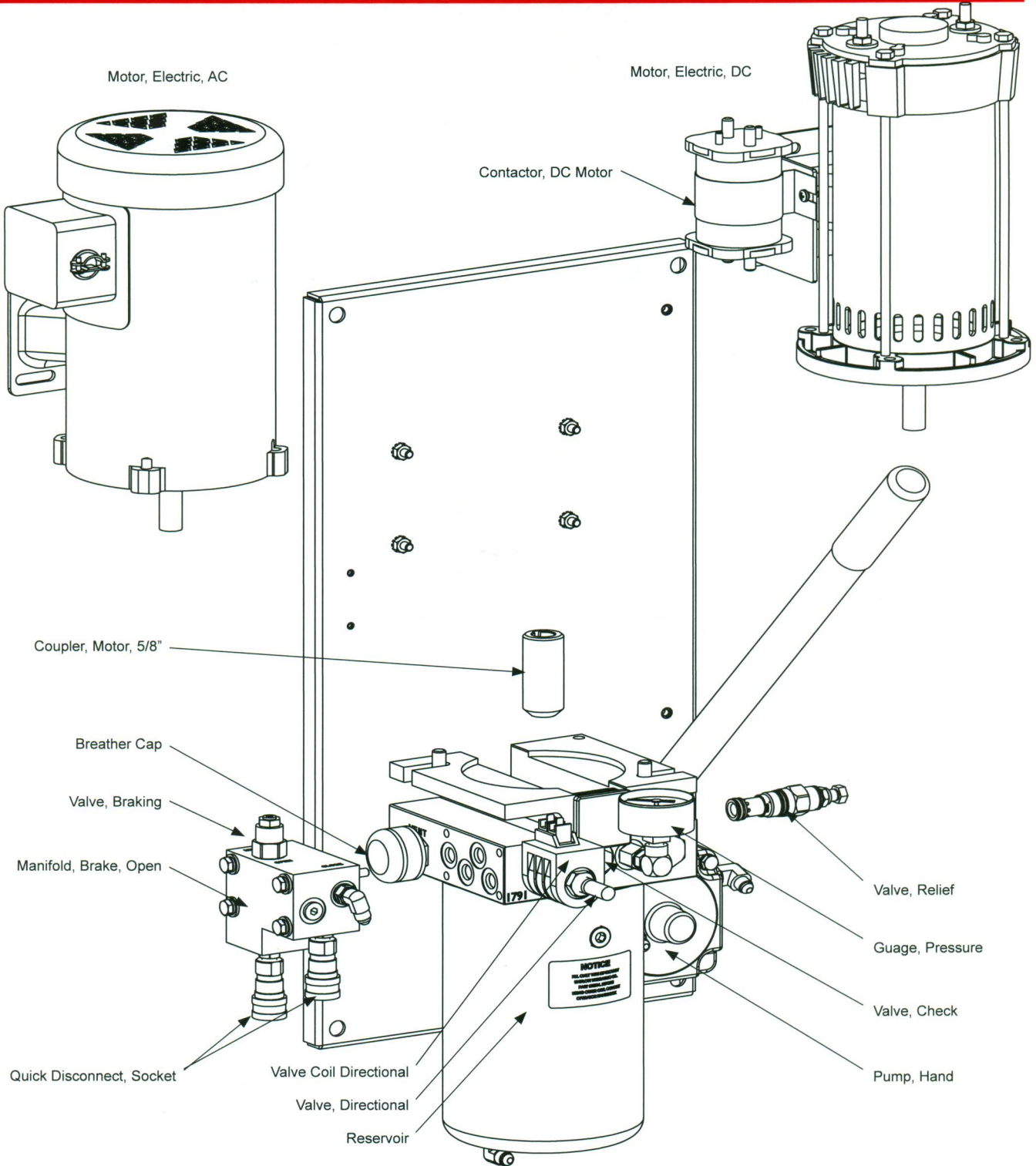
DC Electrical Panel



Part Name	Part Number	StrongArm Crash Models (current)
Board, Display	MX000678	all
Board, Power Supply, DC	MX000369	all DC models
Board, Smart Touch Controller	MX000585-0	all
Buzzer, Piezo	MX001036	all
Keypad, Smart Touch Controller	MX001756	all
Photo Eye, Through Beam, 30' Range, Wireless, 24VDC	MX002552	all
Photo Eye, Through Beam, 55' Range, Wired, 24VDC	MX000846	all
Switch, Disconnect, DC	MX002847	all DC models



Hydraulic Panel





Hydraulic Panel

<i>Part Name</i>	<i>Part Number</i>	<i>StrongArm Crash Models (current)</i>
Breather Cap	MX000686	all
Contactora, DC Motor	MX002768	all DC models
Coupler, Motor, 5/8" Shaft, 6T, New	MX002054	all
Fluid, Biodegradable	MX002836	all
Fluid, Hydraulic	MX000970	all
Gauge, Pressure, 2000 PSI, Kit	MX001106	all
Manifold, Brake, Open, Assembly	MX002412	all
Motor, Electric, 24VDC, 2.0 HP	MX001647	all DC models
Motor, Electric, 60Hz, 2.0 HP, 3Ø, 3450 RPM, 208/230/460VAC	MX001638	all AC models
Pump Pack, Biodegradable Oil, StrongArm M30, 12'-18'	MX002662	StrongArm M30, 16-18' arm
Pump Pack, Biodegradable Oil, StrongArm M30, 20'-24'	MX002663	StrongArm M30, 20-24' arm
Pump Pack, StrongArm M30, 12'-18'	MX002379	StrongArm M30, 16-18' arm
Pump Pack, StrongArm M30, 20'-24'	MX002380	StrongArm M30, 20-24' arm
Pump, Hand , Replacement Kit	MX002821	all
Quick Disconnect, Socket, 1/8"	MX000169	all
Reservoir, Hydraulic Fluid	MX002393	all
Valve Coil, Directional, 24VDC	MX000184	all
Valve, Braking	MX000657	all
Valve, Check, Endhead Main	MX000171	all
Valve, Directional with Manual	MX001257	all
Valve, Relief, 3000 PSI	MX000174	all