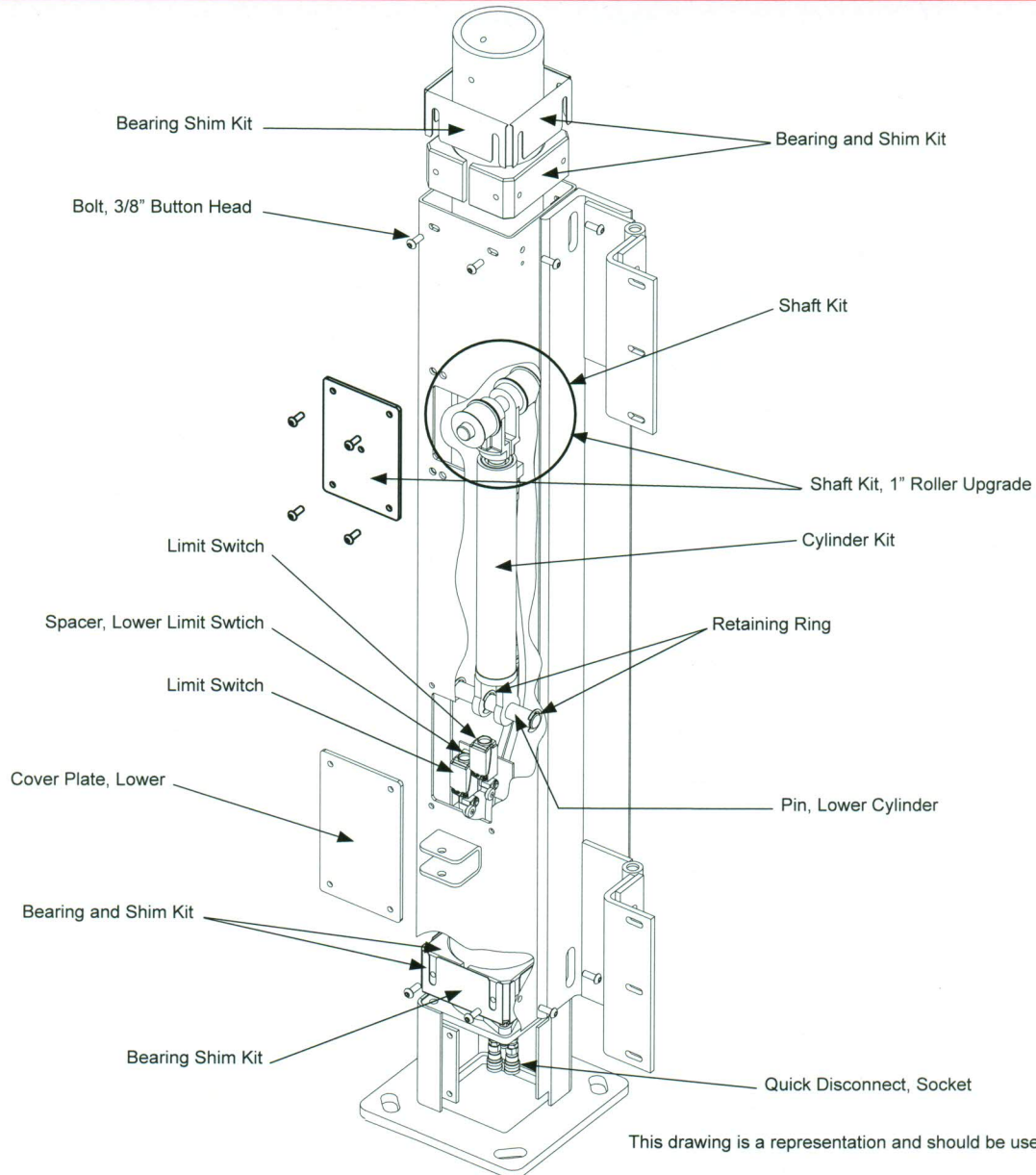




### Post (typical)

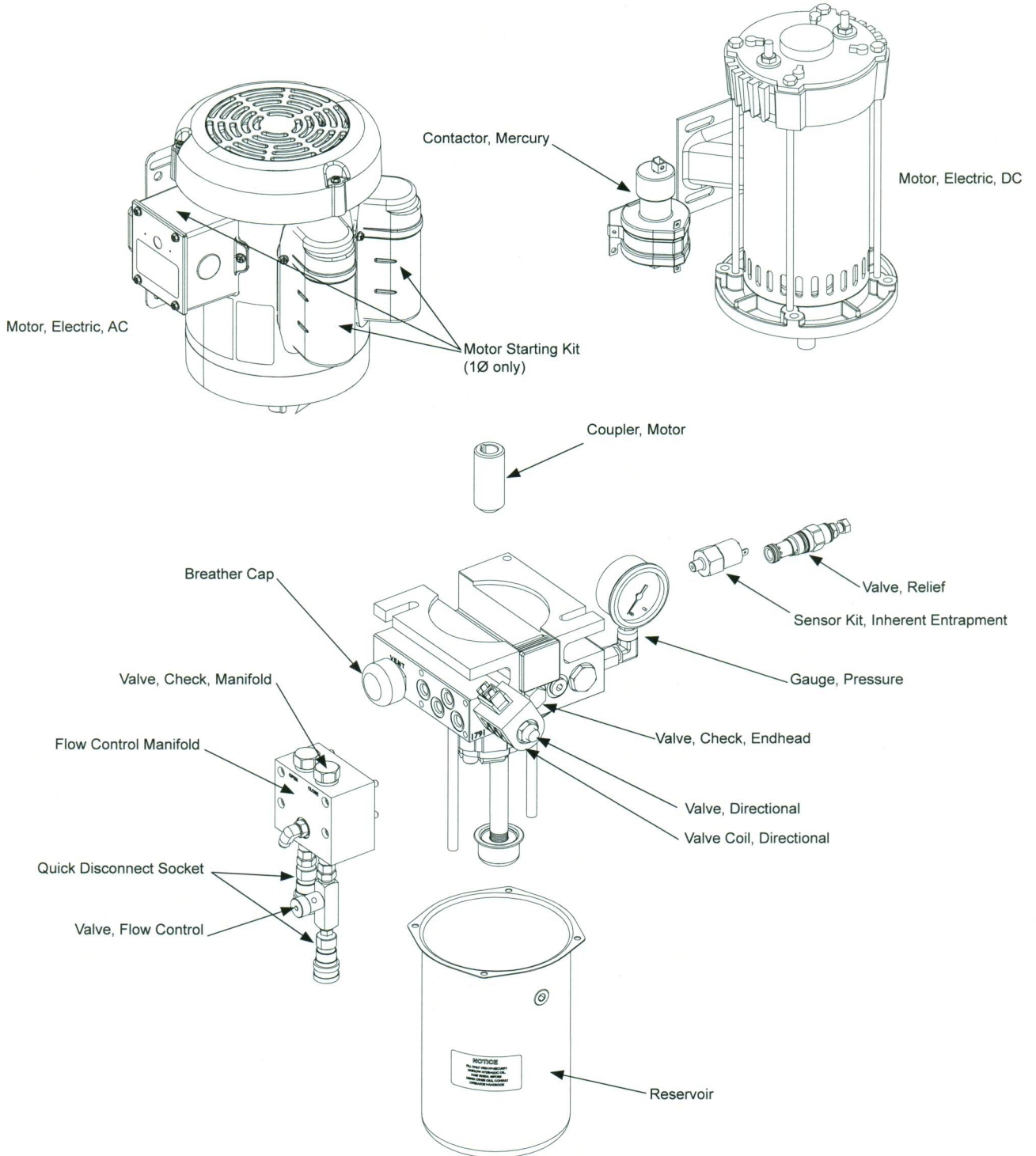


This drawing is a representation and should be used for reference only.

Part Name	Part Number	SwingRiser Models (current)
Bearing and Shim Kit, Upper & Lower	MX001718	all since 2005, contact HySecurity for pre-2005 Post
Bearing Shim Kit, Shims only, SwingRiser	MX002057	all since 2005, contact HySecurity for pre-2005 Post
Bolt, 3/8" Button Head, Nickel Plated	MX001089	all
Cover Plate, Lower	MX000531	all
Cylinder Kit, Long Hoses, SwingRiser	MX001101	all
Limit Switch, SwingRiser	MX000866	all
Pin, Lower Cylinder, SwingRiser	MX000542	all
Quick Disconnect, Socket, 1/8"	MX000169	all
Retaining Ring, 1"	MX000768	all
Shaft Kit, 1" Roller Upgrade, SwingRiser	MX001220	all
Shaft Kit, 1" Roller, SwingRiser	MX001221	all
Spacer, Lower Limit Switch	MX000541	all



### Pump Pack, Single (HRG 220)





### Pump Pack, Single (HRG 220)

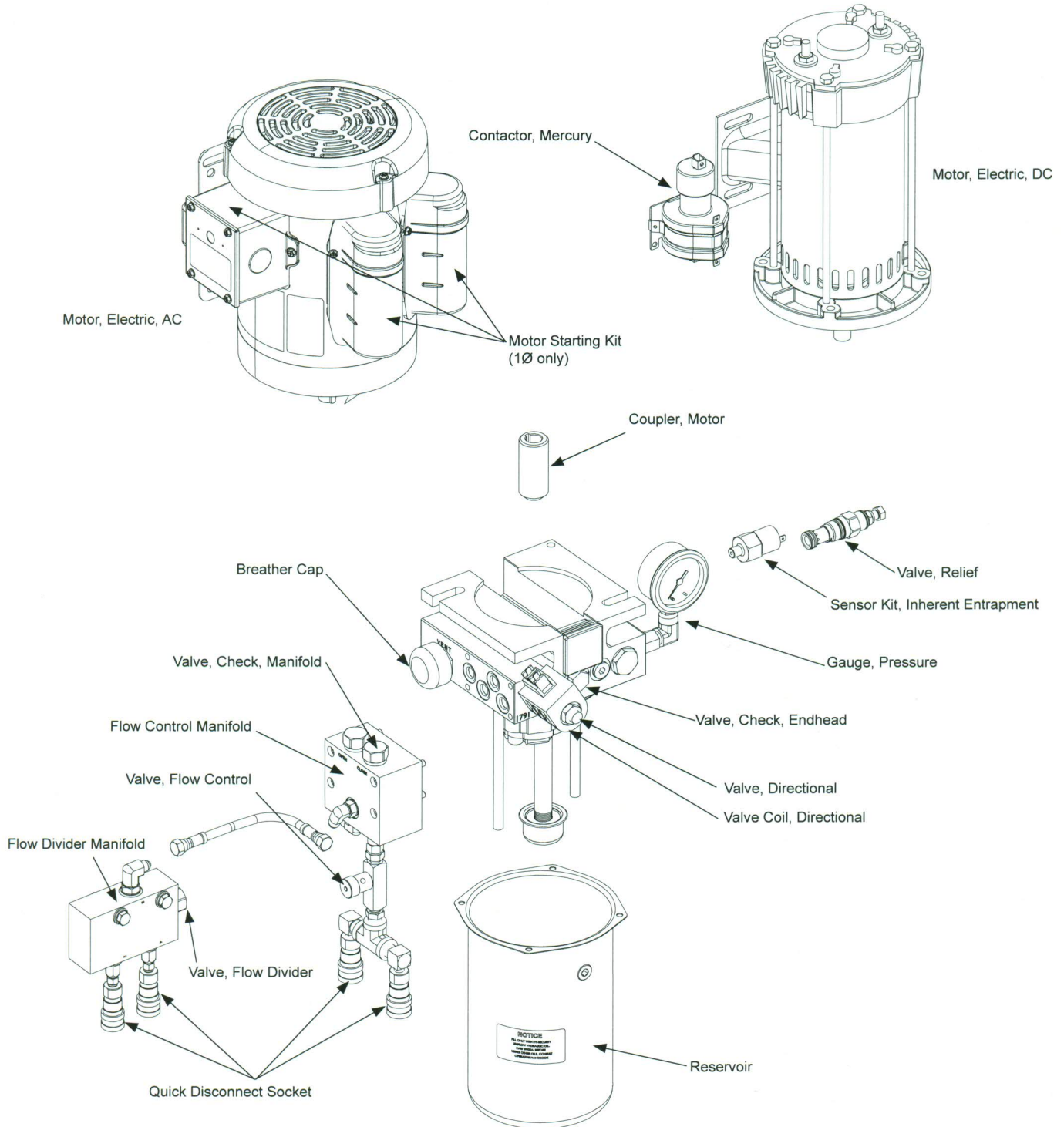
Part Name	Part Number	SwingRiser Single (HRG 220) Models (current)
Breather Cap	MX000686	all
Contactora, Mercury	MX001098	all DC
Coupler, Motor, 5/8" Shaft, 6T	MX002054	all*
Coupler, Motor, 5/8" Shaft, 9T	MX001650	all*
Gauge, Pressure, 3000 PSI, Kit	MX001107	all
Hose Fittings Kit, SwingRiser Single	MX001132	see replacement parts listing for ordering information
Hose, 1/4", SwingRiser	MX001114	see replacement parts listing for ordering information
Manifold, Flow Control, SwingRiser Single	MX001127	all
Motor Starting Kit, Baldor	MX001308	all AC 60Hz 1Ø with Baldor motor
Motor, Electric, 24VDC, 0.75 HP	MX001646	19, 30 (HRG 220-B, 220-C) 24VDC
Motor, Electric, 24VDC, 2.0 HP	MX001647	14 (HRG 220-A) 24VDC
Motor, Electric, 60Hz, 1.0 HP, 1Ø, 1725 RPM, 115/208/230VAC	MX001640	19, 30 (HRG 220-B, 220-C) 115/208/230VAC 60Hz 1Ø
Motor, Electric, 60Hz, 1.0 HP, 1Ø, 3450 RPM, 115/208/230VAC	MX001635	14 (HRG 220-A) 115/208/230VAC 60Hz 1Ø
Motor, Electric, 60Hz, 1.0 HP, 3Ø, 1725 RPM, 208/230/460VAC	MX001641	19, 30 (HRG 220-B, 220-C) 208/230/460VAC 60Hz 3Ø
Motor, Electric, 60Hz, 1.0 HP, 3Ø, 3450 RPM, 208/230/460VAC	MX001636	14 (HRG 220-A) 208/230/460VAC 60Hz 3Ø
Motor, Electric, 60Hz, 1.0 HP, 3Ø, 3450 RPM, 575VAC	MX001667	14 (HRG 220-A) 575VAC
Pump Pack, SwingRiser 14	MX001959	14 (HRG 220-A) 60Hz
Pump Pack, SwingRiser 19	MX001960	19 (HRG 220-B) 60Hz
Pump Pack, SwingRiser 30	MX001961	30 (HRG 220-C) 60Hz
Quick Disconnect, Plug, 1/8"	MX000170	all
Quick Disconnect, Socket, 1/8"	MX000169	all
Reservoir, 4 Qt, SwingRiser	MX001416	all
Sensor Kit, Inherent Entrapment	MX000091	all
Valve Coil, Directional, 24VDC	MX000184	all
Valve, Check, Endhead Main	MX000171	all
Valve, Check, Manifold, SwingRiser	MX000352	all
Valve, Directional with Manual	MX001257	all
Valve, Flow Control, SwingRiser	MX001258	all
Valve, Relief, 3000 PSI	MX000174	all

Call for 50Hz motors and pump packs

\* Use MX002054 for operators manufactured after 6/1/2009, MX001650 for operators with pump packs manufactured before 6/1/2009. See website for Pump Pack Changes Tech Bulletin.



### Pump Pack, Twin (HRG 222)





### Pump Pack, Twin (HRG 222)

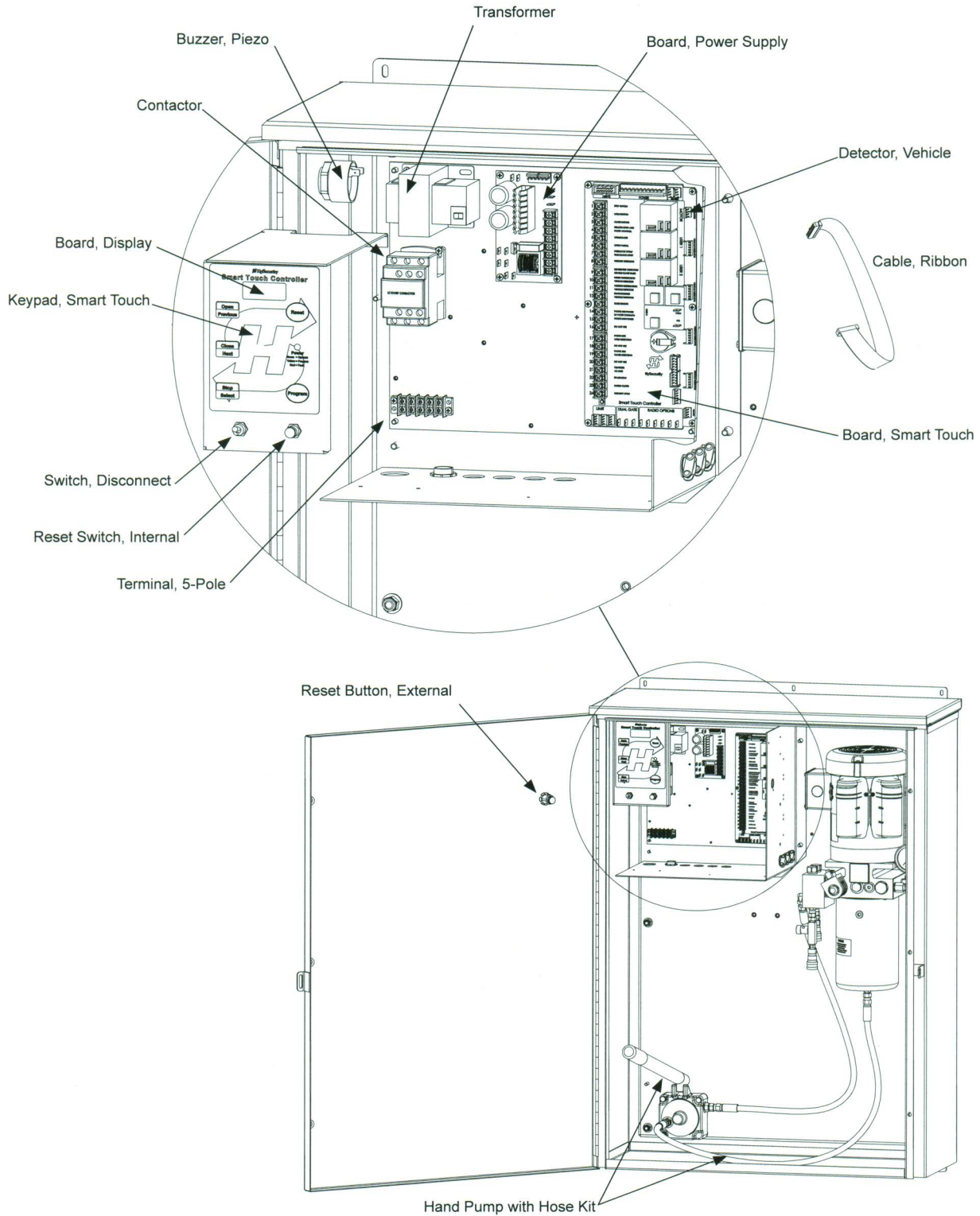
Part Name	Part Number	SwingRiser Twin (HRG 222) Models (current)
Breather Cap	MX000686	all
Contactora, Mercury	MX001098	all DC
Coupler, Motor, 5/8" Shaft, 6T	MX002054	all*
Coupler, Motor, 5/8" Shaft, 9T	MX001650	all*
Flow Divider Manifold, SwingRiser Twin	MX001861	all
Gauge, Pressure, 3000 PSI, Kit	MX001107	all
Hose Fittings Kit, SwingRiser Twin	MX001135	see replacement parts listing for ordering information
Hose, 1/4", SwingRiser	MX001114	see replacement parts listing for ordering information
Manifold, Flow Control, SwingRiser Twin	MX001128	all
Motor Starting Kit, Baldor	MX001308	all AC 60Hz 1Ø with Baldor motor
Motor, Electric, 24VDC, 2.0 HP	MX001647	14 Twin, 19 Twin, 30 Twin (HRG 222-A, 222-B, 222-C) 24VDC
Motor, Electric, 60Hz, 1.0 HP, 1Ø, 3450 RPM, 115/208/230VAC	MX001635	14 Twin (HRG 222-A) 115/208/230VAC 60Hz 1Ø
Motor, Electric, 60Hz, 2.0 HP, 1Ø, 3450 RPM, 208/230VAC	MX001637	14 Twin, 19 Twin, 30 Twin (HRG 222-A, 222-B, 222-C) 208/230VAC 60Hz 1Ø
Motor, Electric, 60Hz, 2.0 HP, 3Ø, 3450 RPM, 208/230/460VAC	MX001638	14 Twin, 19 Twin, 30 Twin (HRG 222-A, 222-B, 222-C) 208/230/460VAC
Pump Pack, SwingRiser 14 Twin	MX001965	14 Twin (HRG 222-A) 60Hz and DC
Pump Pack, SwingRiser 19 Twin	MX001966	19 Twin (HRG 222-B) 60Hz and DC
Pump Pack, SwingRiser 30 Twin	MX001967	30 Twin (HRG 222-C) 60Hz and DC
Quick Disconnect, Plug, 1/8"	MX000170	all
Quick Disconnect, Socket, 1/8"	MX000169	all
Reservoir, 4 Qt, SwingRiser	MX001416	all
Sensor Kit, Inherent Entrapment	MX000091	all
Valve Coil, Directional, 24VDC	MX000184	all
Valve, Check, Endhead Main	MX000171	all
Valve, Check, Manifold, SwingRiser	MX000352	all
Valve, Directional with Manual	MX001257	all
Valve, Flow Control, SwingRiser	MX001258	all
Valve, Flow Divider	MX001833	all
Valve, Relief, 3000 PSI	MX000174	all

Call for 50Hz motors and pump packs

\* Use MX002054 for operators manufactured after 6/1/2009, MX001098 for operators with pump packs manufactured before 6/1/2009. See website for Pump Pack Changes Tech Bulletin.



### HydraSupply, Electrical



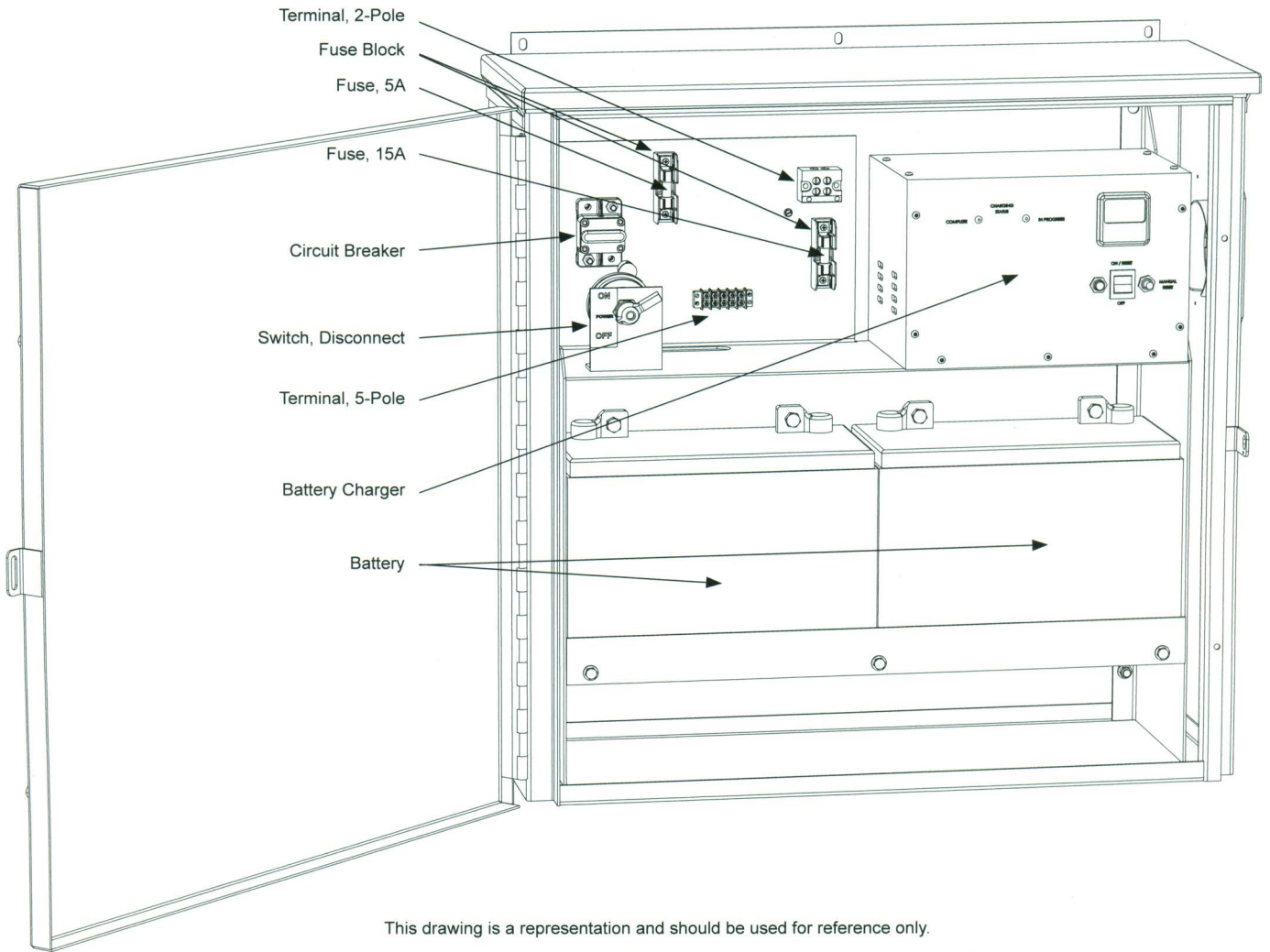


### HydraSupply, Electrical

<i>Part Name</i>	<i>Part Number</i>	<i>SwingRiser Models (current)</i>
Board, Display	MX000678	all
Board, Power Supply, AC	MX000487	all AC
Board, Power Supply, DC	MX000369	all DC
Board, Smart Touch	MX000585-0	all
Buzzer, Piezo	MX001036	all
Cable, Ribbon, LCD	MX000046	all
Contactor, Motor	MX000485	all AC
Detector, Vehicle, HY-5A	MX000041	all
Hand Pump with Hose Kit	MX001306	all
Keypad, Smart Touch Controller	MX001756	all
Reset Switch, Internal	MX002124	all
Reset Switch, External	MX001216	all
Switch, Disconnect	MX000715	all
Terminal, 5-Pole	MX001270	all
Transformer, 24VAC Output, 75VA, 50/60Hz	MX001249	575VAC and 50Hz only
Transformer, 24VAC Output, 75VA, 60Hz	MX000486	all 60Hz AC except 575VAC



### DC Power Supply



Part Name	Part Number	SwingRiser UPS Models (current)
Battery Charger, 60Hz, 115VAC	MX001719	115VAC, 60Hz input
Battery Charger, 60Hz, 208VAC	MX001720	208VAC, 60Hz input
Battery Charger, 60Hz, 230VAC	MX001721	230VAC, 60Hz input
Battery, 12V, 110AH, AGM	MX000877	all
Circuit Breaker, 120A DC	MX000843	all Twin UPS (HRG 222 DC)
Circuit Breaker, 60A DC	MX000842	all Single (HRG 220) UPS
Fuse Block	MX000863	all
Fuse, 15 Amp	MX000865	all
Fuse, 5 Amp	MX000864	all
Switch, Disconnect, DC Power Supply	MX000844	all
Terminal, 2-Pole	MX000859	all
Terminal, 5-Pole	MX001270	all

Call for 50Hz battery chargers.