



INSTALLATION INSTRUCTIONS

Model # **MIRF-T2 30/50 Ft.**

US PAT.# 6,920,717 6,651,385
CAN PAT.# 2,434,531

Patriot-2 Non-Contact Telescopic Edge Sensor

IMPORTANT:

READ AND UNDERSTAND ALL INSTRUCTIONS BEFORE BEGINNING INSTALLATION.

The Patriot 2 edge sensor is designed to transmit an infrared light beam from an emitter to a receiver housed below the bottom edge of the door. The emitting and receiving "eyes" plug into the bottom of the retracting legs. If the beam is interrupted by an object or person below the door, signals are sent to the door operator to stop and/or reverse the door.

1- Kit Contents

MIRF-T2 (30 Feet)

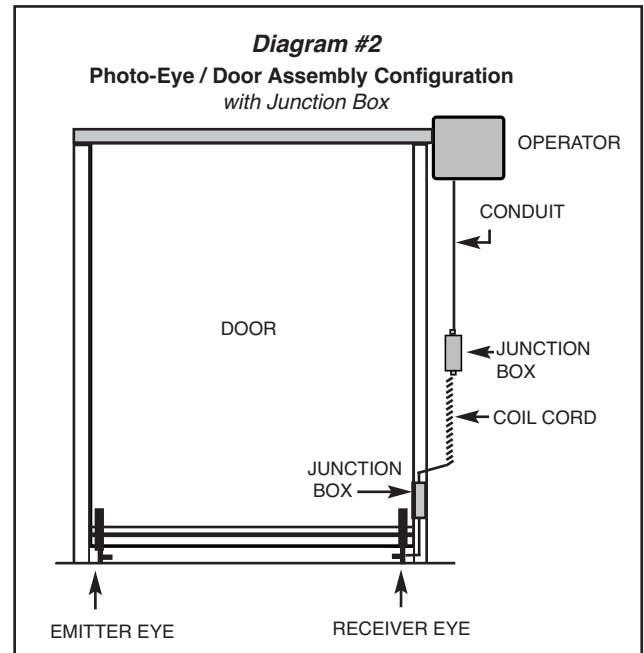
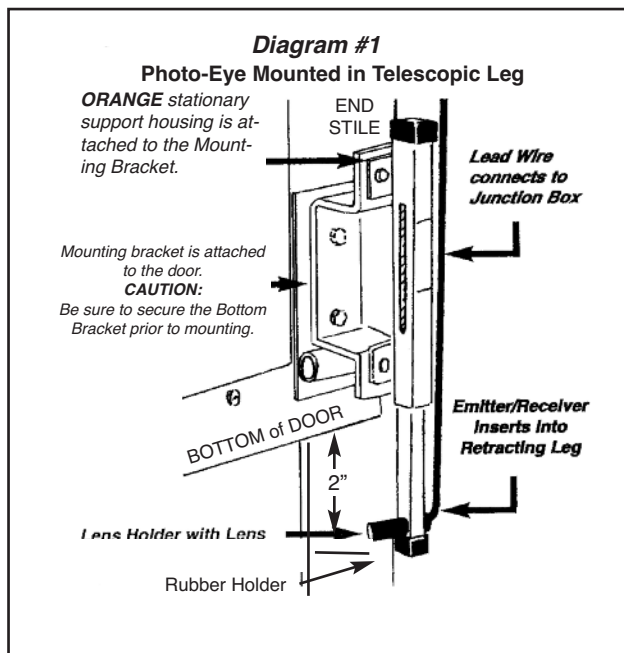
(1) Installation Instructions	
(1) MIRF-E2	PE MONITORED EMITTER EXT. 30
(1) MIRF-R2	PE MONITORED RECEIVER
(1) MIR-T2-TK	PE PATRIOT TELESCOPIC LEG KIT
(1) JB-02-Z	JUNCTION BOX WITH COVER
(1) MIR-WK-T2	T2 HARDWARE KIT
(1) MIRCU-02	CONTROL UNIT
(1) C222-15B	15FT. COIL CORD

MIRF-T2 (50 Feet)

(1) Installation Instructions	
(1) MIRF-E2-50	PE MONITORED EMITTER EXT. 50
(1) MIRF-R2	PE MONITORED RECEIVER
(1) MIR-T2-TK	PE PATRIOT TELESCOPIC LEG KIT
(1) JB-02-Z	JUNCTION BOX WITH COVER
(1) MIR-WK-T2	T2 HARDWARE KIT
(1) MIRCU-02	CONTROL UNIT
(1) C222-15B	15FT. COIL CORD

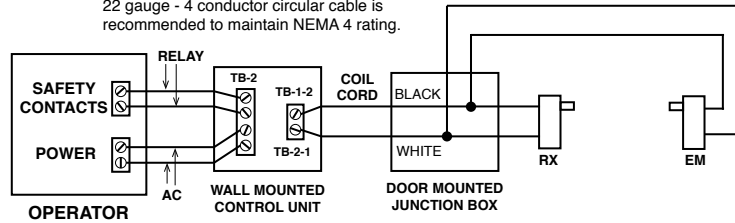
2- Mounting

1. Move the door to a comfortable working height.
2. Disconnect ALL Power to the operator.
3. Install photo-eye mounting brackets on bottom corner brackets of door (*See Diagram #1*).
4. Insert photo-eye into hole of each retracting leg. Receiver photo-eye (shorter wire) mounts in the leg closer to the operator side. Emitter photo-eye mounts on the opposite side. Install rubber holders over the photo-eyes to hold in place.
5. Install supplied junction box on bottom section end stile closer to the operator side of door within reach of the receiving photo-eye wire (*See Diagram #2*).
6. Route Emitter wire across bottom section attaching to astragal retainer with the provided clips. Cut wire to appropriate length to terminate in end stile junction box. Route Receiver wire into same junction box.
7. Install Control Unit on the wall half way up the height of the door on the operator side as shown in Diagram #2 in conjunction with all Federal, State and Local codes.
8. For wiring guide refer to Section #3.



3- Wiring Connections

NOTE: RELAY and AC Cables are not supplied.
22 gauge - 4 conductor circular cable is recommended to maintain NEMA 4 rating.



4- Technical Specifications

Detection Technology	Infrared Thru-Beam	Cable Length	Rx: 3 Ft. Em Ext: 32 Ft./ 52Ft.
Infrared Wavelength	940nm	Coil Cord	15 Ft.
Infrared Beam Range	30/50 Feet	Mounting Method	Telescopic
Response Time	<20msec	Enclosure Material	Aluminum
Alignment Angle	± 10	Telescopic leg (full extension)	12 1/4" H x 3/4" W x 3/4" L
Operating Temperature	-40°F to 185°F (-40° C to 85° C)	Ratings	NEMA 4 Class 2
Power Supply	8-30 VAC 12-42 VDC		
Contact Rating	1A@ 24VAC/DC		

5- Trouble Shooting Tips

Emitter Photo-Eye Indicators

LED COLOR	OK STATUS	FAULT	SOLUTION
GREEN	ON = NORMAL OPERATION	OFF = NO POWER	CHECK WIRING

Receiver Photo-Eye Indicators

LED COLOR	OK STATUS	FAULT	SOLUTION
GREEN	ON = NORMAL OPERATION	OFF = NO POWER	
RED	OFF = NORMAL OPERATION	ON = OBSTRUCTION/ MISALIGNMENT	REMOVE OBSTRUCTION, CHECK ALIGNMENT
BOTH	OFF = NO POWER	NO POWER	CHECK WIRING

Control Unit Indicators

LED COLOR	OK STATUS	FAULT	SOLUTION
GREEN	FLASHING = NORMAL OPERATION	OFF = NO POWER	CHECK WIRING
RED	OFF = NORMAL OPERATION	ON = OBSTRUCTION	REMOVE OBSTRUCTION CHECK WIRING

6- Warranty

We will replace within two years of shipment from our factory, any Patriot subject to normal use which is found to have defective materials or workmanship, as determined solely by our factory representative. Replacements will be shipped via freight collect. This warranty is void where evidence of misuse or abuse is present.