



UltraV-2 DTEK™

Vehicle Loop Detector



CE

Operating Instructions

CAUTIONS AND WARNINGS



CE REQUIREMENT: Use EMX Pre-formed loops with built-in surge suppression for CE compliance. Connect shield on lead in wire to earth ground.

CE REQUIREMENT: Use CE rated power supply for CE compliance providing suppression as specified by EN61000-4-5.

Not to be used in safety applications.

When more than one loop detector is used, set each one to a different frequency.

Refer to DIP switch diagram for frequency settings.

IMPORTANT:

This product is an accessory or part of a system. Always read and follow the manufacturer's instructions for the equipment before connecting this product. Comply with all applicable codes and safety regulations. Failure to do so may result in damage, injury or death.

PRODUCT OVERVIEW

The UltraV DTEK™ vehicle loop detector is compatible with most gate operators. The UltraV DTEK™ may be used in Center, Safety and Exit loop positions. The UltraMETER™ display feature makes set-up easy by displaying the optimum sensitivity setting required to detect a vehicle positioned on the loop. Ten sensitivity settings allow for fine adjustment of detection level. Output B switch allows configuration of output 2 for FAIL, PULSE ON ENTRY, PULSE ON EXIT, or SAME AS OUPUT A. Four frequency settings provide flexibility in preventing crosstalk in multi-loop applications.

The Ultra V-2 is compatible with a wide variety of gate operators including:

- Chamberlain/Elite SL3000,CSW200
- Advanced Access Automation CSL2000, CSW2000, RSW1000
- All-O-Matic SL100-DC, SL 150DC, OH 200DC, SW 300DC, SW350DC
- Intelligate Systems IQ500, IQ5000
- Linear (OSCO) SL & SW Series with APeX controller
- SECOM Late model operators with 10 pin Molex connectors
- Viking Access Models L-3, F-1, T-21, H-10, B-12, Q-4

Specifications

Sensitivity	10 levels, 0-9
UltraMETER™ Display	Indicates optimum sensitivity level, 0-9 Diagnostic aid
Loop frequency	4 settings (low, med-low, med-hi, high)
Loop inductance	20...2000 μ H (Q factor \geq 5)
Grounded loop	Isolation transformer allows operation with poor quality loops
Automatic tuning	Detector tunes to loop on power-up and following frequency count function
Environmental tracking	Automatic compensation
Surge protection	Loop circuitry protected by surge suppressors
Detect output	Solid-state
Output B	Solid state
Output B inverted	Solid state
Power / loop fault indicator	Green LED
Detect / frequency count indicator	Red LED
ASB (Automatic Sensitivity Boost)	Increases sensitivity after initial detection to prevent dropout due to high-bed vehicles
Power	12VDC...24VDC, 24VAC (see Cautions and Warnings)
Operating Current	15 mA
Operating temperature	-40°C...82°C (-40°F...180°F) 0...95% relative humidity
Dimensions (L x W x H)	3.0"(76mm) x 0.9"(22mm) x 2.75"(70mm)
Weight	0.15 lbs. (68 g)
Connector	10-pin female

OPERATION

Power up

Upon power up the detector initializes by automatically tuning to the loop. The green LED indicates that the detector is powered and operational.

Frequency setting

The operating frequency of the loop is a function of the specific loop inductance and DIP switch settings 1 and 2. The primary purpose of the frequency setting is to allow the installer the ability to set different operating frequencies for multi-loop installations, recommended to prevent crosstalk/interference from adjacent loops. After changing the frequency setting, press the Frequency Count switch to re-initialize the detector. To check the operating frequency of a loop refer to the Frequency Count section. To determine whether crosstalk between adjacent loops is occurring, refer to the UltraMETER Sensitivity Display section.

UltraMETER™ Sensitivity Display

The UltraMETER™ sensitivity display simplifies the installation process by displaying the sensitivity setting required to detect a vehicle on the loop. To use this feature, observe the display while a vehicle is moving into position on the loop, note the number displayed, then adjust the sensitivity setting (rotary switch) to the displayed position.

During normal operation, when a vehicle is not on the loop, the display is blank. The effects of crosstalk or other interference can be observed on the display when the loop is vacant. Interference or crosstalk will cause the display to indicate a level, typically 8 or 9. It may be necessary to observe the display for a minute or so to see this effect. Change the frequency setting to prevent crosstalk.

Sensitivity setting

The 10-position rotary switch allows for precise adjustment of detection level. The sensitivity level increases from position 0 thru 9 with position 0 being the lowest sensitivity. Typical applications require a setting of 3 or 4. The UltraMETER™ sensitivity display simplifies the installation process by displaying the sensitivity setting required to detect a vehicle on the loop. To use this feature, observe the display while a vehicle is moving into position on the loop, note the number displayed, then adjust the sensitivity setting (rotary switch) to the displayed position.

Frequency Count / Reset

Press the Frequency Count switch and count the number of flashes on the red LED. Each flash represents 10kHz. To help to prevent crosstalk when multiple detectors are used for adjacent loops, perform a frequency count on each detector to confirm the operation frequencies are different. Following a frequency count cycle, the detector re-initializes

Automatic Sensitivity Boost

The Automatic Sensitivity Boost causes the sensitivity to increase following initial detection. This feature is useful to prevent dropout when detecting high-bed vehicles. The sensitivity returns to its normal setting after the vehicle exits the loop. Decimal point on the display indicates ASB on.

Presence output

The Presence settings provides two selections, the output can be set for Infinite Presence or Normal Presence. Infinite Presence causes the output to remain in detect mode as long as the vehicle remains on the loop. Normal Presence causes the output to reset after 5 minutes. **DO NOT USE THE NORMAL PRESENCE SETTING UNLESS THE OPENING IS PROTECTED BY A SECONDARY SAFETY DEVICE SUCH AS THE IRB-4X.**

Delay

The Delay setting provides a 2 second delay before activating after a vehicle enters the loop, for both Presence and Output B.

Output B

Output B settings allow Pulse on Entry, Pulse on Exit, Output B same as Presence and Loop Fault.

Fail Safe / Fail Secure

Fail Safe setting causes the UltraV to activate the Presence output in the event a loop failure. Fail Secure setting will cause the UltraV not to activate the Presence output in the event a loop failure.

Controls and Indicators

AUTOMATIC SENSITIVITY BOOST

	DIP switch position 8
ASB enabled	on
ASB off	off

PRESENCE

	DIP switch position 7
NORMAL	on
INFINITE	off

DELAY (2 seconds)

	DIP switch position 6
DELAY	on
NO DELAY	off

OUTPUT B

MODE	DIP switch position	
	4	5
Pulse on Entry	on	on
Pulse on Exit	off	on
B same as A	on	off
Loop Fault	off	off

FAIL SAFE / SECURE

	DIP switch position 3
Fail Secure	on
Fail Safe	off

FREQUENCY SETTINGS

FREQUENCY	DIP switch position	
	2	1
Low	on	on
Medium low	on	off
Medium high	off	on
High	off	off

SENSITIVITY SETTING

	Position 0.....9
Sensitivity	Low.....high

DETECT / FREQUENCY COUNT

	Red LED
Presence detected	on
No presence	off
Frequency count	flashing

ULTRAMETER™ DISPLAY

Indicates sensitivity setting required to detect vehicle

FREQUENCY COUNT / RESET

Press to start frequency count, re-initializes after count



Connections

Connector pin	Description
1	Loop
2	Loop
3	Power + (12VDC...24VDC, 24VAC)
4	No connection
5	No connection
6	Output B
7	Output B inverted
8	Presence output
9	Power + (12VDC...24VDC, 24VAC)
10	Common

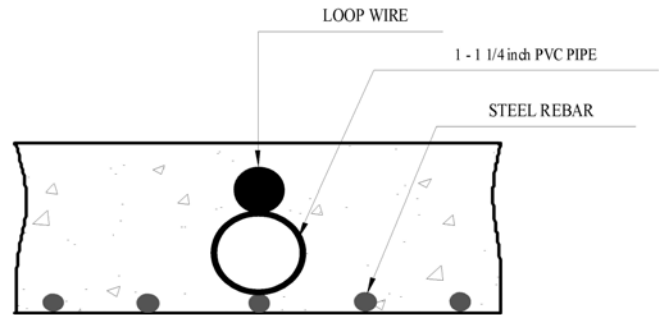
Troubleshooting

Symptom	Possible cause	Solution
Green LED flashes	Loop wire shorted or open	Check loop resistance on the appropriate loop pins on the control board connector, between .5 ohms and 5 ohms.
Green LED flashes, 2 fast	Loop was previously shorted or open	Check loop resistance on the appropriate loop pins on the control board connector.
Detector remains in detect after vehicle has left loop	<ol style="list-style-type: none">1. Faulty loop2. Poorly crimped terminals3. Loose connections	<ol style="list-style-type: none">1. Perform megger test from loop lead to ground, should be >100 megohms2. Check loop connections to terminals3. Check splices are properly soldered and sealed against moisture4. Observe ULTRAMETER display, level indicated on display indicates residual frequency shift from vacant loop to vehicle presence, press Frequency Count switch to re-initialize the detector
Intermittent detection	<ol style="list-style-type: none">1. Faulty loop2. Poorly crimped terminals3. Loose connections4. Cross-talk between adjacent loops	<ol style="list-style-type: none">1. Perform megger test from loop lead to ground, should be >100 megohms2. Check loop connections to terminals3. Check splices are properly soldered and sealed against moisture4. Set adjacent loops to different frequencies (see Frequency Setting)
No detection	<ol style="list-style-type: none">1. Loop wire shorted or open2. Loop sensitivity set too low	<ol style="list-style-type: none">1. Check loop resistance on the appropriate loop pins on the control board connector, between .5 ohms and 5 ohms.2. With vehicle on loop, observe ULTRAMETER display, set sensitivity to the level indicated on the display

Loop Installation

NEW SLAB POUR

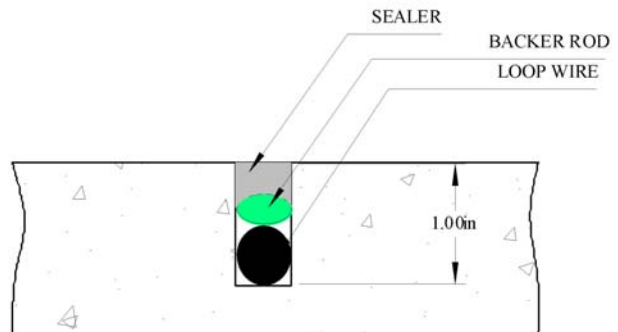
Ty-wrap 1-1/4" PVC pipe to the top of the rebar in the size and configuration of the loop (ex. 4' x 8'). Then ty-wrap the loop to the top of the PVC frame. This stabilizes the loop during the pour and separates it from the rebar.



Concrete Slab Cross View

SAW CUT EXISTING SURFACE

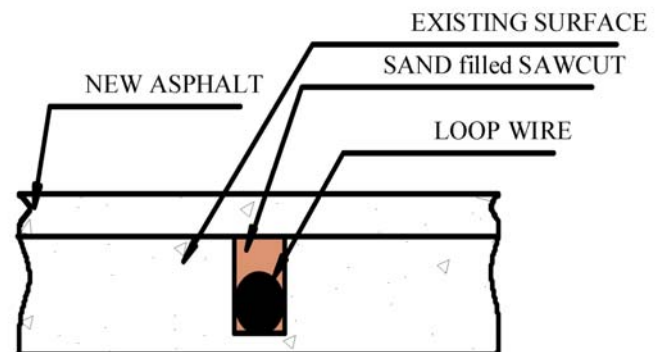
Cut 1" deep into the existing surface, place a 45° cut at the corners to prevent sharp edges from damaging the loop wire. Notch out for the "T" connection where the lead wire connects to the loop. Remove all debris from the finished cut with compressed air. Place the loop into the saw cut. Place backer material into the saw cut over the loop wire and pack tightly. Place a high-quality sealer over the saw cut to seal the surface.



Concrete Slab Cross View

RESURFACE ASPHALT

Saw cut the existing surface 3/4" deep and place a 45° cut at the corners to prevent sharp edges from damaging the loop wire. Remove all debris from the finished cut with compressed air. Place sand over the loop wire to the surface and pack tightly. Lay new asphalt.



Asphalt Re-surface

General Installation Guidelines

- Use EMX Lite Preformed loops for quick, reliable installations and for CE compliance.
- Lead-in wire (wire from loop to detector) must be twisted a minimum of 6 turns/ foot to avoid the effects of noise or other interference.
- Detection height is approximately 70% of the shortest side of the loop. Example: detection height for an 4' x 8' loop = $48'' \times .7 = 33.6''$

Ordering information

UltraV-2 Vehicle Loop Detector

Accessories

PR-XX EMX Lite Preformed Loops™

Warranty

WARRANTY

EMX Industries Incorporated warrants all products to be free of defects in materials and workmanship for a period of two years under normal use and service from the date of sale to our customer. This warranty does not cover normal wear and tear, abuse, misuse, overloading, altered products, damage caused by incorrect connections, lightning damage, or use other than intended design.

There is no warranty of merchantability. There are no warranties expressed or implied or any affirmation of fact or representation except as set forth herein.

EMX Industries Inc. sole responsibility and liability, and the purchaser's exclusive remedy shall be limited to the repair or replacement at EMX Industries option of a part or parts found not conforming to the warranty. In no event shall EMX Industries Inc. be liable for damages of any nature, including incidental or consequential damages, including but not limited to damages resulting from non-conformity, defect in material or workmanship.

effective date January 1, 2002



BLANK PAGE

BLANK PAGE

EMX

INDUSTRIES, INC.

4564 Johnston Parkway
Cleveland, Ohio 44128
United States of America

WEB <http://www.emxinc.com>

Technical Support Telephone (216) 834-0761

E-mail technical@emxinc.com

Sales Telephone (216) 518-9888

Fax (216) 518-9884

Email salesupport@emxinc.com

